

OPERATING AND SERVICE INSTRUCTIONS WITH PARTS LIST

B-100, B-100C AND B-100F PORTABLE HEATERS

WARRANTY

Master Vibrator Company warrants this product to be free from defects in material or workmanship, under normal and proper use in accordance with instructions of Master Vibrator Company, for a period of ninety days from the date of delivery to the buyer. Master Vibrator Company, at its option, will repair or replace (f.o.b. Dayton, Ohio) products returned by the buyer to Dayton, Ohio transportation prepaid, within said ninety day period and found by Master Vibrator Company to have been thus defective in material or workmanship. The foregoing is the full extent of the responsibility of Master Vibrator Company. There are no other warranties, express or implied, and in no event shall Master Vibrator Company be liable for delay caused by defects, for consequential damages, or for any charges or expense of any nature incurred without its written consent.

This warranty will not apply to any product which has been repaired or altered outside of the Dayton factory, in any respect which, in our judgment, affects its condition or operation.

MASTER VIBRATOR COMPANY, DAYTON 1, OHIO

Trouble	Possible Cause	Remedy
Failure to ignite (heater equipped with flame detector)	Motor overload stopped motor.	Press red reset button on top of motor, if used.
	Flame detector (54, fig. 5) stopped heater because of poor or no ignition.	After remedying ignition difficulty, press reset button in flame detector cover before starting heater.
	Defective thermostat.	Replace thermostat.
	Defective solenoid valve.	Replace solenoid valve.
	Defective flame detector.	Replace flame detector.
	Improperly wired.	Check wiring in accordance with wiring diagram, figure 4.

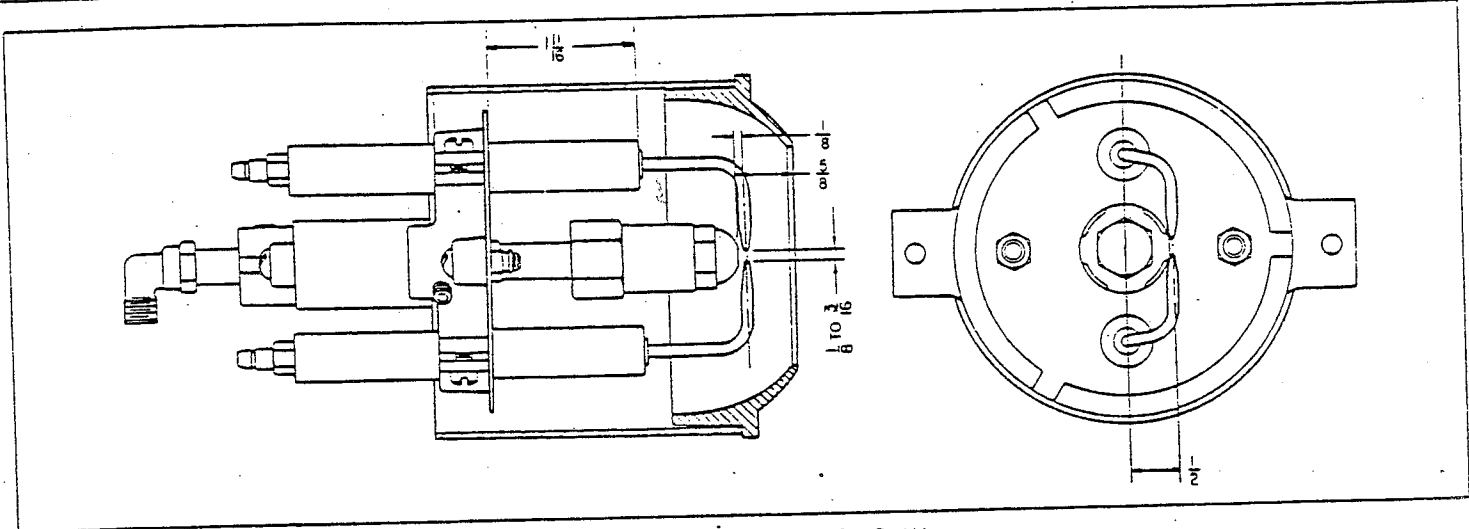


Figure 1 - Burner Electrode Settings

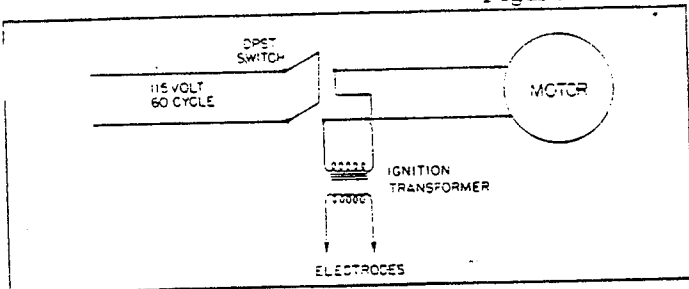


Figure 2 - Wiring Diagram—Manually Controlled B-100 Heater

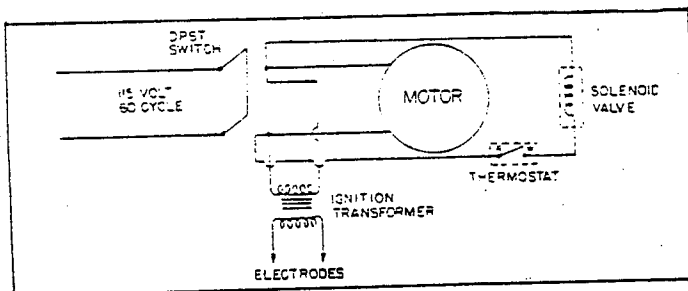


Figure 3 - Wiring Diagram Thermostatically Controlled B-100 Heater

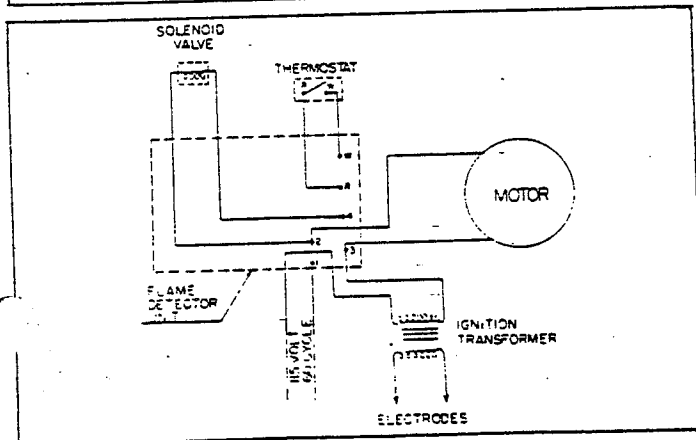


Figure 4 - Wiring Diagram Thermostatically Controlled B-100 Heater with Flame Detector Kit

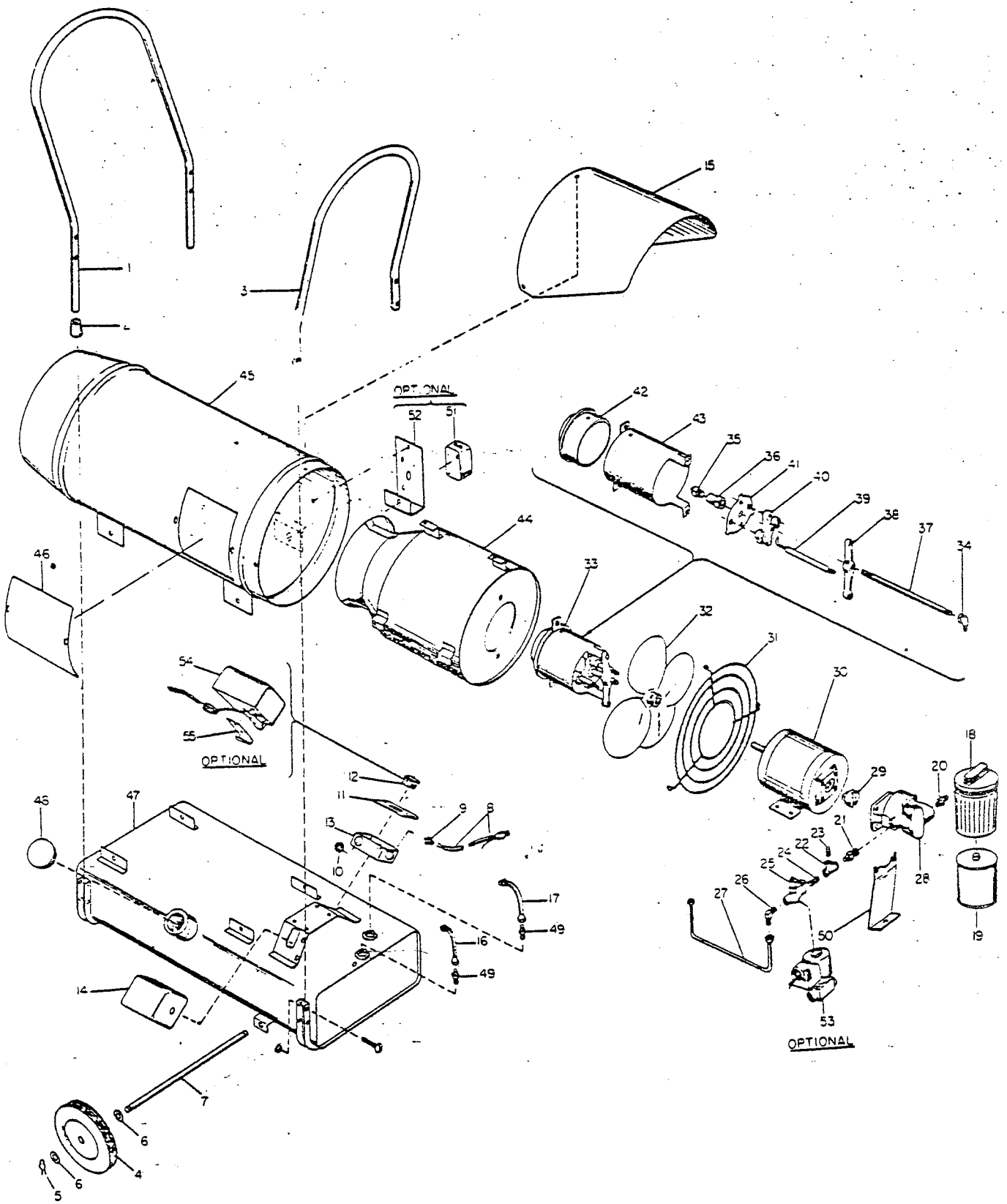


Figure 5 - B-100 Heater Exploded View

PARTS LIST FOR B-100 SERIES HEATER

Figure & Index No.	Part Number	Part Name	Units Per Assy.
	M3238	B-100 Series Heater Assy	1
5-1	M3283	Front Handle	2
5-2	M3304	Rubber Tip	1
5-3	M3284	Rear Handle	2
5-4	M3281	Wheel	2
5-5	M3280	Wheel Retainer	4
5-6	WP8C	Washer	1
5-7	M3100	Axle	1
5-8	60440-1	Extension Cord	1
5-9	1001349	Straight Connector	2
5-10	M3530	Control	1
5-11	M3308	Switch Box Cover	1
5-12	M3480	Switch	1
5-13	M3307	Switch Box	1
5-14	M 3239	Transformer	1
5-15	M3364	Coil	1
5-16	M3366	Tar Filter Intake Fuel Line Assy	1
5-17	M3334	Pump Intake Fuel Line Assy	1
5-18	M3301	Filter Assy	1
5-19	M3301-1	Filter	1
5-20	M3463	Nipple	1
5-21	M3297	Reducing Nipple	1
5-22	69255	Tee	1
5-23	57419	Pipe Plug	1
5-24	69270	Close Nipple	1
5-25	M3296	Fuel Valve	1
5-26	M2294	Elbow	1
5-27	M3298	Fuel Line Assy	1
5-28	M3295	Pump	1
5-29	M3473	Coupling	1
5-30	M3294	Motor	1
5-31	M3247	Fan Guard	1
5-32	M3243	Fan	1
5-33	M3240	Burner Head Assy	1
5-34	100514	Elbow	1
5-35	✓ M3292	Nozzle	1
5-36	1000550	Nozzle Adapter	1
5-37	M3276	Fuel Pipe	1
5-38	M3267	Fuel Pipe Support	1
5-39	M3269	Right-Hand Electrode	1
5-39	M3268	Left-Hand Electrode	1
5-40	M3275	Electrode Support	1
5-41	M3273	Air Deflector	1
5-42	M3274	Air Cone	1
5-43	M3095	Burner Housing Assy	1
5-44	M3091	Combustion Chamber Assy	1
5-45	M3286	Housing Assy	1
5-46	M3291	Access Door	1
5-47	M3239	Fuel Tank Assy	1
5-48	M3279	Filler Cap	2
5-49	M2436	Half Union	1
5-50	M3526	Pump Support Bracket	1

OPTIONAL EQUIPMENT

M3503 Thermostat Kit consisting of:

5-51	M2727	Thermostat	1
5-52	M3300	Thermostat Bracket	1
5-53	M3338	Solenoid Valve	1

M3504 Flame Detector Kit consisting of:

5-54	M3371	Flame Detector Unit	1
5-55	M3492	Flame Detector Bracket	1