

# Master

**PORTABLE HEATERS**

**MODEL B100D**

**Spec. No. 3196G01**

---

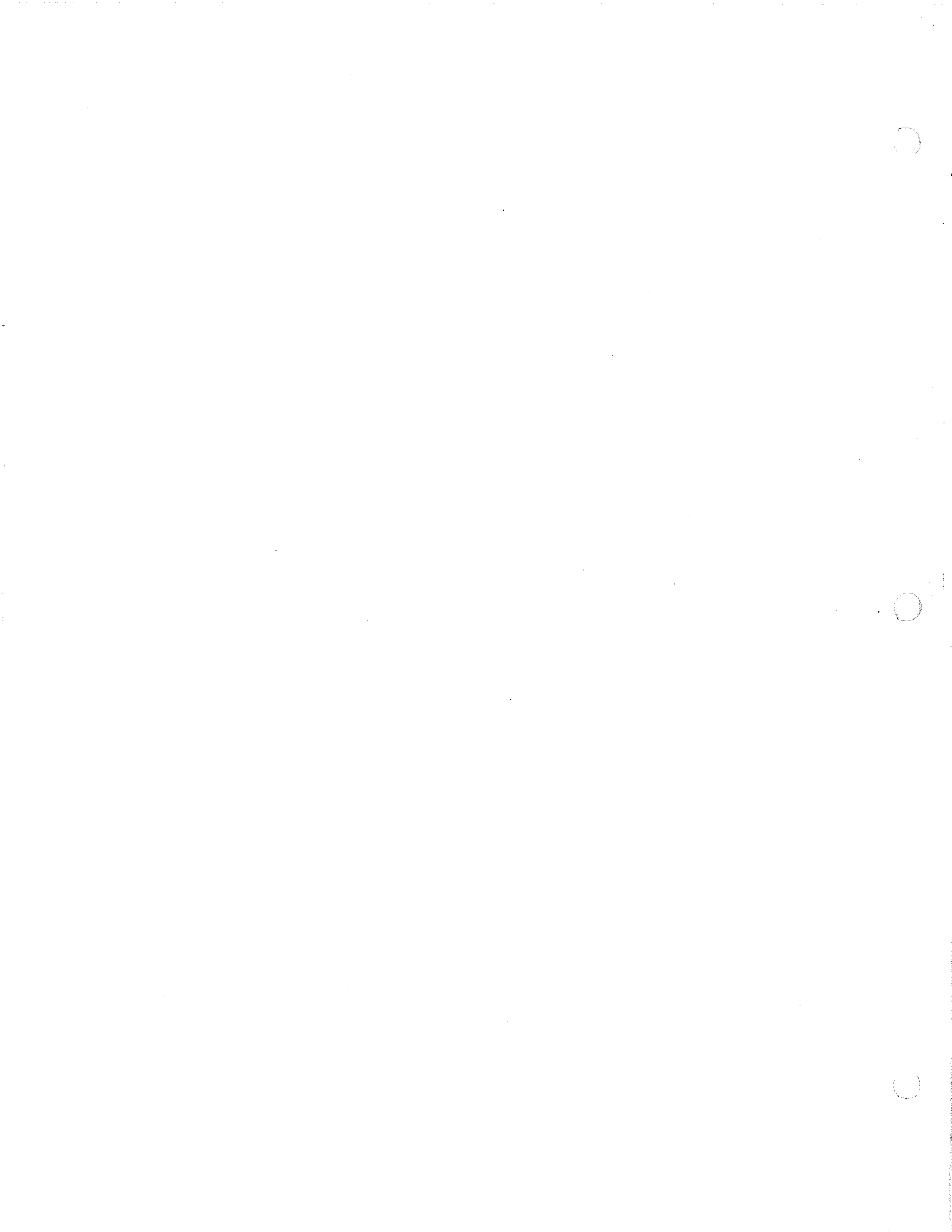
**PARTS LIST  
UNIT SPECIFICATIONS  
ASSEMBLY INSTRUCTIONS  
WARRANTY STATEMENT**

---



---

 **KOEHRING**  
COMPACTION AND GENERAL EQUIPMENT GROUP  
DAYTON, OHIO 45401

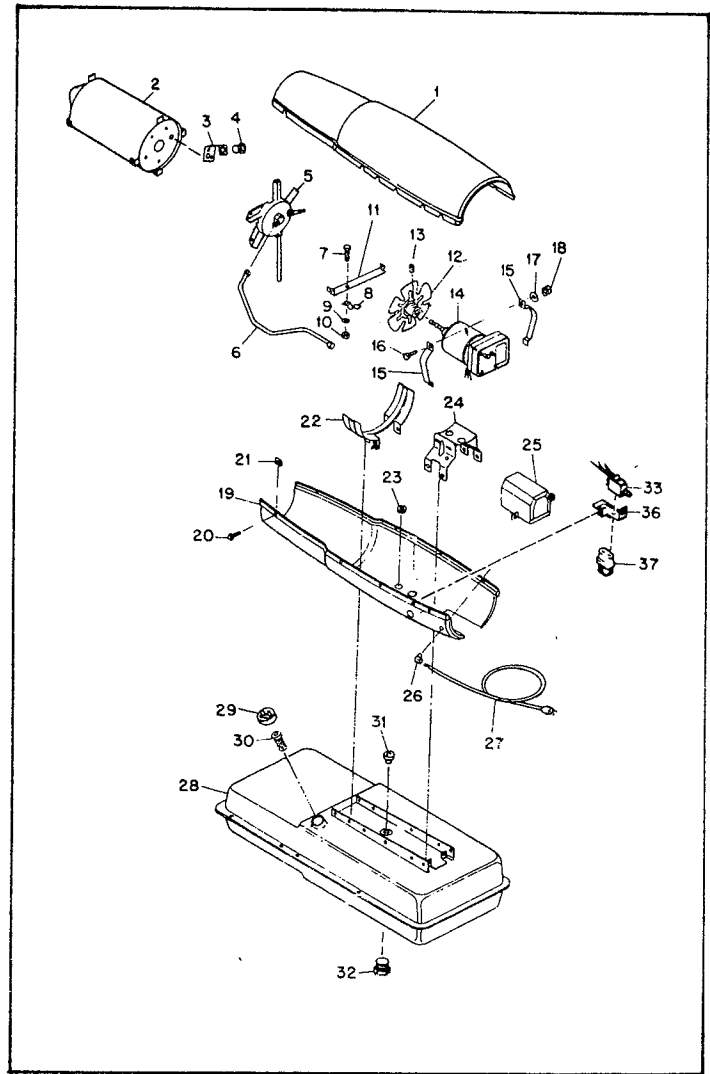


When ordering your part, be sure to provide all pertinent facts when you call or visit your service dealer.  
 The model and serial number of your portable heater will be found on a decal toward the rear (motor end) of your unit.  
 When ordering repair parts always give the following:

**A) Part Number**                      **B) Model Number**                      **C) Description**

NOTE: All painted service parts will be shipped painted a common color of baked enamel finish coat. Parts may be repainted if necessary.

Index Part No.	Number	Part Name	Qty.
1	M13134-3AZ	Shell, Upper	1
2	M16781-4	Chamber, Combustion	1
	M11084-27*	Screw (Combustion Chamber attaching front)	2
	M11084-29*	Screw (Combustion Chamber attaching rear)	2
3	M16660	Bracket, Photo cell	1
	M10908-1*	Screw (Photo cell Bracket to Combustion Chamber rear head)	2
4	M16656-3	Cell and Bushing Assy.	1
5	M23150-1	Burner Head Assembly	1
	M11084-27*	Screw (Burner Head to Combustion Chamber)	3
6	M16879	Air Line	1
7	M12461-27	Screw, Slotted hex hd., No. 10-32 x 1/2 in.	1
8	M24717	Clamp, Tube	1
9	WLM-3	Lockwasher, No. 10	1
10	NPF-3C	Nut, Plain No. 10-32	1
11	M15807	Strap, Retainer	1
	M11084-27*	Screw (Retainer Strap to Lower Shell)	2
12	M23147	Fan	1
13	SF4-2-1/2K	Setscrew, Soc. hd., cup pt., 1/4-20 (Fan to Motor Shaft)	2
14	M23149-7	Motor Package Assembly	1
15	M16661	Clamp, Motor	4
16	HC4-10C	Screw (Motor Clamps)	2
17	WLM-4*	Lockwasher, 1/4 in. (Motor Clamps)	2
18	NPC-4C*	Nut, Hex, 1/4-20 (Motor Clamps)	2
19	M16777AZ	Shell, Lower	1
20	M11084-27*	Screw (Upper Shell to Lower Shell)	6
21	M11271-6*	Nut, Tinnerman (Upper Shell to Lower Shell)	6
22	M12330	Bracket, Shell Support	1
	M11084-27*	Screw (Support Bracket to Lower Shell and Fuel Tank)	4
	M11084-29*	Screw (Lower Shell to Support Bracket)	2
23	1000576	Grommet (Ignition cable thru Lower shell)	3
24	M25059-02	Bracket, Motor Support	1
	M11084-27*	Screw (Motor Support Bracket to Lower Shell and Fuel Tank)	6
25	M16697-02	Transformer, 5000 volt	1
	M11084-27	Screw (Transformer to Motor Support Bracket)	2
26	M11143-1	Bushing, Strain Relief (Service Cord to Lower Shell)	1
27	M10813-77	Cord Assembly, Extension	1
28	M27552-01BA	Tank Assembly, Fuel	1
29	M23284	Cap. Fuel Tank	1
30	M50323	Screen, Filler Neck	1
31	M10990-3	Bushing, Rubber (Fuel Filter into Fuel Tank)	1



HEATER GENERAL ASSEMBLY, EXPLODED VIEW

32	M27417	Plug, Drain	1
33	M28898-03	Safety Control Assembly ✓	1
36	M25296-1	Bracket, Starting Relay Mtg.	1
37	M12462-16	Relay, Starting	1
	RC2-2C*	Screw (Starting Relay to Mounting Bracket)	2
	ST2-2AC	Screw (Grounding)	1
	M11084-27	Screw (Relay Bracket to Shell)	1
	M9900-62	Wire Assembly, Black (To Starting Relay)	1
	M9900-80	Wire Assy (To Breaker)	1
	M16615-1	Harness Assy.	1
	M13942-7	Connector (Cell and Bushing and Relay to Circuit Breaker)	3
	M13942-5	Connector (Relay Leads)	2

Index No.	Part Number	Part Name	Qty.
	M23150-1	Burner Head Assembly	1
1	M16790-8	. Filter, Tube	1
2	M19630	. Filter, Fuel	1
3	M13849	. Nut, Flared	1
4	M16741-18	. Ring, Retaining	1
	M23151-1	. Nozzle Adapter Assy.	1
5	M16791	. . Connector, Male	1
6	M5976	. . Connector, Male	1
7	M8882	. . Sleeve, Nozzle Seal	1
8	M10659-1	. . Washer, Nozzle Seal	2
9	M10809-1	. . Spring, Nozzle Seal	1
10	M23103	. . Nozzle, Aspirating 0.66 GPH	1
11	M16535	. . Adapter, Nozzle	1
12	M10962-2	. Spark Plug	1
13	M16534	. Body, Burner Head	1

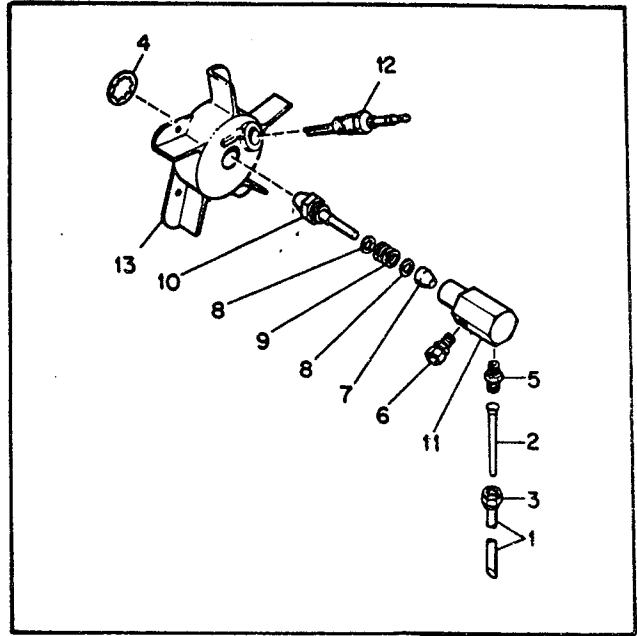


Figure 2. Burner Head Assembly

Index No.	Part Number	Part Name	Qty.
-	M23149-7	Motor Package Assembly	Ref.
1	M16545	. End Cover, Filter	1
2	M12461-31*	. Screw (Filter End Cover to Pump End cover)	4
3	WLI-3	. Lockwasher, Internal No. 10	4
4	M12179	. Intake Air Filter	1
5	M12244-1	. Output Filter Assy.	1
6	M11637	. Filter, Lint	1
7	M12233	. Front Cover, Pump (Port Plate)	1
8	M12461-32*	. Screw (End Cover to Motor)	6
9	WLI-3	. Lockwasher, Internal No. 10	6

Index No.	Part Number	Part Name	Qty.
10	M8643	. Blade	4
11	M22456-1	. Rotor	1
12	M22009	. Insert	1
13	M8645	. Pump Body	1
14	FHPF3-4C	. Screw (Pump Body to Motor)	2
15	M5976	. Connector, Male	1
16	M22997	. Plug, Hex hd.	1
17	M27694	. Screw, Pressure Adjustment	1
18	M10993-1	. Spring, Compression (Pressure Relief)	1
19	M8940	. Ball, 1/4 in. dia.	1
20	M30718-01	. Motor	1

\* Standard hardware. Purchase locally.

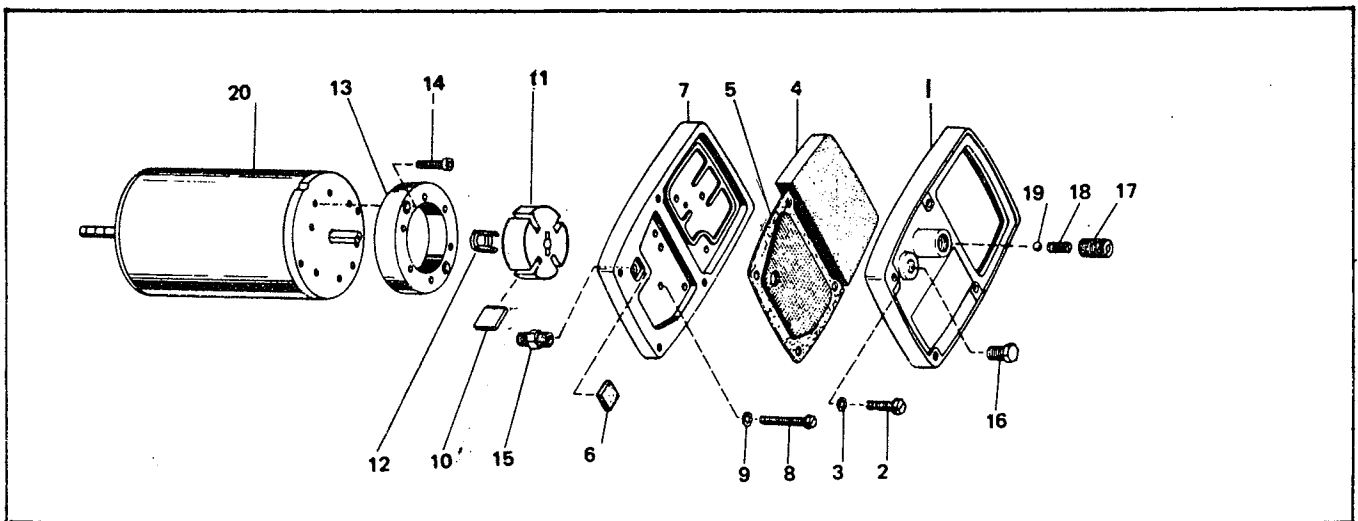


Figure 3. Motor Package Assembly

### WHEELS, HANDLES, MARKINGS

Index No.	Part Number	Part Name	Qty.
1	M13830-3	Handle, Rear	1
2	M13831-3	Handle, Front	1
3	M12345-33	Screw, Handles and Wheel Support Frame to Fuel Tank	8
4	M12342-3	Wheel Support Frame	1
5	NTC-3C*	Nut, Hex 10-24 Torque Lock	8
6	M16801A	Axle	1
7	M19294	Wheel	2
8	M28526	Nut Cap	2
<b>DECALS</b>			
	M30732	Decal, Tradename	1
	M25352	Decal, Wiring	1
	M22898	Decal, Nameplate	1
	M18196	Decal, Mfg. By	1
	M22743	Decal, Warning	1
	M25325	Decal, Reset	1
	M30738	Decal Model No.	1
	M50091	Owners Manual	1
	M50092-10	Manual, Model	1

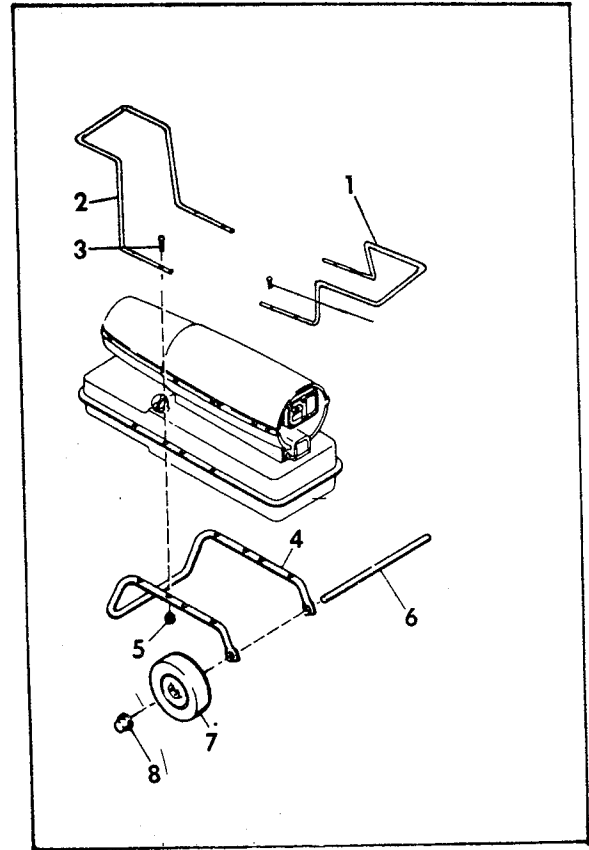


Figure 4. Handles and Wheels

### SPECIFICATIONS

Output Rating (BTU per hour)	90,000
Amperage (During normal run)	4.0
Air Pump Pressure (PSI)	4
Weight (Approx. lbs.)	Shipping 79
	Dry (net) 62
Fuel Tank Capacity, U.S. Gallons	9.0
Fuel Consumption, Approx. U.S. Gal. per hour	0.66
Electrical Requirements Voltage	115
	Cycles 60
Motor RPM	3450
Fuel	Kerosene or No. 1 Fuel Oil only
Duct	No Duct Recommended
Relay	115

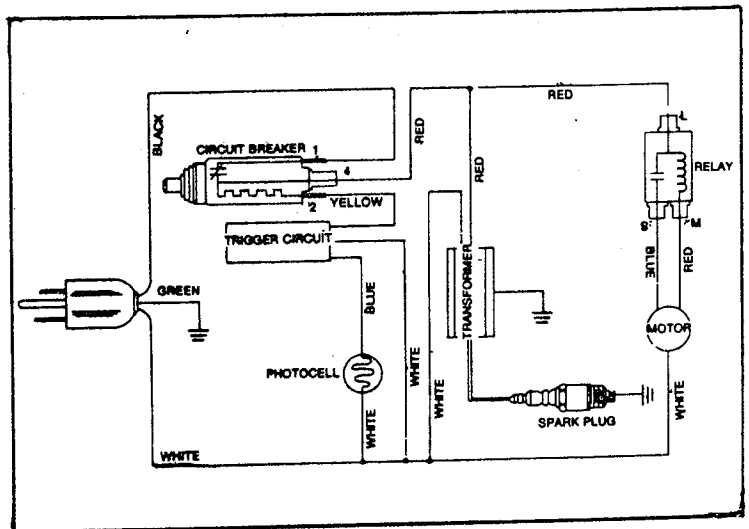


Figure 5. Wiring Diagram

**ASSEMBLY INSTRUCTIONS  
FOR ALL MODELS EQUIPPED WITH WHEELS & HANDLES**

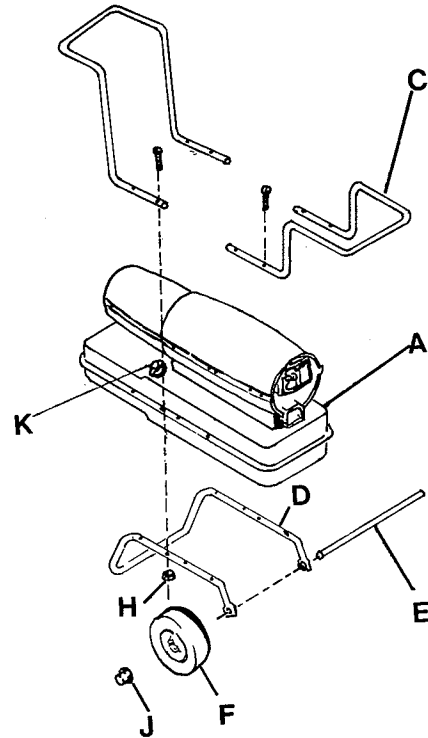
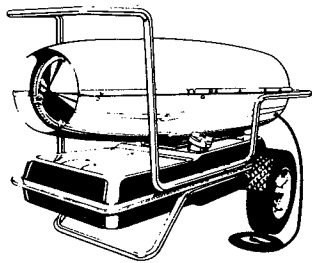
The Heater Body is shipped assembled. Wheels and Handles are packed separately. Check to see that the following items are included:

- |   |                     |
|---|---------------------|
| 1) Heater Body                          | 5) 8 ea. 10x24 Nuts |
| 2) Handles and Wheel Support Frame      | 6) 2 ea. Cap Nuts   |
| 3) 2 ea. Wheels, 1 ea. Axle             | 7) 1 ea. Fuel Cap   |
| 4) 8 ea. 10x24x1 $\frac{3}{4}$ " Screws |                     |

**IMPORTANT** Screws, Nuts and Cap Nuts are standard hardware items.

**TOOLS REQUIRED** Medium Phillips Screwdriver, 3/8" Open or Adjustable Wrench, Lightweight Hammer.

- |                       |                                 |
|-----------------------|---------------------------------|
| A—Heater Body         | F—Wheel                         |
| B—Front Handle        | G—Screw 10x24x1 $\frac{3}{4}$ " |
| C—Rear Handle         | H—Nut 10x24                     |
| D—Wheel Support Frame | J—Cap Nut                       |
| E—Axle                | K—Fuel Cap                      |



**Step 1** - Slide the Axle (E) through the Wheel Support Frame (D). Install Wheels (F) onto the Axle (E); **IMPORTANT** - The Extended hub of the Wheel should be positioned toward the Wheel Support Frame. Position the Cap Nuts (J) on the Axle (E) and tap with hammer.

**Step 2** - Position the unit, Motor end over Wheels, on the Wheel Support Frame.

**Step 3** - Use Screws (G) and Nuts (H) attach handle (B-C) to Tank flange and Wheel Support Frame. Install all Screws and Nuts before tightening.

**Step 4** - Tighten all Nuts.

**Step 5** - Install Fuel Cap (K)

# IMPORTANT

## OWNER'S REGISTRATION

Please complete and return this postage paid card as soon as possible.

SERIAL NO.	<input type="text"/>	MODEL	<input type="text"/>
	1-9		10-15
CUSTOMER NAME	<input type="text"/>	DATE PURCHASED	<input type="text"/>
	24-37		16-23
ADDRESS	<input type="text"/>		
	38-51		
<input type="text"/>	CITY 52-61	<input type="text"/>	STATE 62-63
		<input type="text"/>	ZIP 64-68
MY HEATER WILL BE USED:	<input type="checkbox"/> ON FARM	<input type="checkbox"/> AT HOME	<input type="checkbox"/> IN BUSINESS
	69		
Dealer Name	_____		
Address	_____		
	City	State	Zip 70-74
			<input type="text"/>
			75-80

(B)

**KEEP THIS WARRANTY**

Model \_\_\_\_\_

Serial No. \_\_\_\_\_

Date Purchased \_\_\_\_\_

Fill in above information for your own record

*ALWAYS SPECIFY MODEL AND SERIAL NUMBERS WHEN COMMUNICATING WITH THE FACTORY.*

WE RESERVE THE RIGHT TO AMEND THESE SPECIFICATIONS AT ANY TIME WITHOUT NOTICE. THE ONLY WARRANTY APPLICABLE IS OUR STANDARD WRITTEN WARRANTY. WE MAKE NO OTHER WARRANTY, EXPRESSED OR IMPLIED

**CERTIFICATE OF GENERAL EQUIPMENT - LIMITED SIX MONTHS WARRANTY (U.S.A.)**

"Koehring Company warrant new Products sold by it to be free from defects in material or workmanship for a period of six months after date of delivery to the first user and subject to the following conditions:

"Koehring Company's obligation and liability under this Warranty is expressly limited to repairing or replacing at Koehring Company's option, any parts which appear to Koehring Company upon inspection to have been defective in material or workmanship when shipped from the factory. Such parts shall be provided at no cost to the user, at the business establishment of any factory authorized service center or the factory during regular working hours. This Warranty shall not apply to component parts or accessories of Products not manufactured by Koehring Company and which carry the warranty of the manufacturer thereof, or to normal maintenance (such as pressure adjustments) or to normal maintenance parts (such as filters and spark plugs). Replacement or repair parts installed in the Product covered by this Warranty are warranted only for the remainder of this Warranty as if such parts were original components of said Product. **KOEHRING COMPANY MAKES NO OTHER EXPRESS WARRANTY. TO THE EXTENT PERMITTED BY LAW KOEHRING COMPANY MAKES NO IMPLIED WARRANTY AND MAKES NO WARRANTY OF MERCHANTABILITY OR FITNESS FOR ANY PARTICULAR PURPOSE. IN ANY EVENT IMPLIED WARRANTIES INCLUDING THOSE OF MERCHANTABILITY AND FITNESS FOR A PARTICULAR PURPOSE ARE LIMITED TO THE DURATION OF THIS EXPRESS WARRANTY.** (Some states do not allow limitations of how long an implied warranty lasts, so the above limitation may not apply to you.)

Any transportation charges, costs of installation, duty, taxes or any other charges whatsoever must be borne by the user. Koehring Company's obligation under this limited Warranty shall not include any liability for direct, indirect, incidental, or consequential damage or delay. (Some states do not allow the exclusion or limitation of incidental or consequential damages, so the above may not apply to you.) If requested by Koehring Company, Products or parts for which a warranty claim is made are to be returned transportation prepaid by user to the factory. Any improper use, including operation after discovery of defective or worn parts, operation beyond rated capacity, substitution of parts not approved by Koehring Company, or any alteration or repair by others in such manner as in Koehring Company's judgment affects the Product materially and adversely, shall void this Warranty.

**"NO EMPLOYEE OR REPRESENTATIVE IS AUTHORIZED TO CHANGE THIS WARRANTY IN ANY WAY OR GRANT ANY OTHER WARRANTY UNLESS SUCH CHANGE IS MADE IN WRITING AND SIGNED BY AN OFFICER OF KOEHRING COMPANY AT ITS HOME OFFICE."**

This Warranty gives you specific legal rights and you may also have other rights which vary from state to state. For information write Koehring Construction Equipment Division, 400 Wayne Avenue, Dayton, Ohio 45401, Attention: Manager, Warranty Administration.

C4213-06



FIRST CLASS  
PERMIT NO. 521  
Bowling Green,  
Kentucky 42101

**BUSINESS REPLY MAIL**  
No Postage Stamp Necessary If Mailed In The United States

 **KOEHRING**  
ATOMASTER DIVISION  
BOWLING GREEN, KENTUCKY 42101

