

## PORTABLE FORCED AIR HEATER

### Illustrated Parts List

## PFA-47

Issued: June, 1992

MASTER – B110  
KNIPCO – F110H

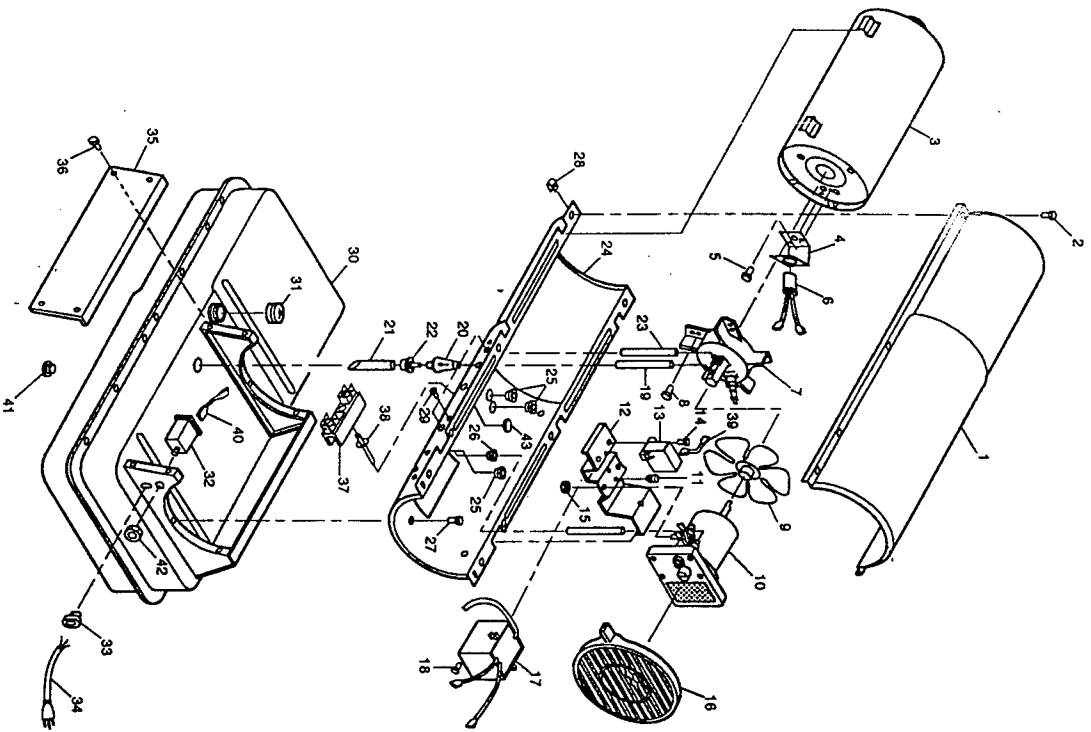
**IMPORTANT:** Do not use key numbers when ordering service parts. Always order components by part number and description. Include model and serial numbers.

KEY NO.	PART NUMBER	DESCRIPTION	QTY.	KEY NO.	PART NUMBER	DESCRIPTION	QTY.
1	098511-138	Upper Shell (B110)	1	24	098511-140	Lower Shell (B110)	1
	098511-144	Upper Shell (F110H)	1		098511-137	Lower Shell (F110H)	1
2	M15823-27	Screw, #10-16 x 1/2"	8	25	M30865-02	Bushing	3
3	098512-31	Combustion Chamber	1	26	M50104-02	Bushing	1
4	M16660	Photocell Bracket	1	27	M11084-27	Screw, #10-16 x 1/2"	6
5	M10908-2	Screw, #6-32 x 3/8"	2	28	M11271-8	Clip Nut	8
6	HA3019	Photocell Assembly	1	29	M15823-37	Screw, #8-18 x 1/4"	1
7	***	Burner Head Assembly	1	30	098513-21	Fuel Tank	1
7-1	HA3022	Nozzle with Sleeve	1	31	097702-01	Fuel Cap (Includes Gasket)	1
7-2	M10659-1	Nozzle Washer	2	32	HA3003	Safety Control	1
7-3	M10809-1	Nozzle Spring	1	33	M11143-1	Strain Relief Bushing	1
7-4	M8882	Nozzle Sleeve	1	34	098219-19	Power Cord	1
7-5	M50924-03	Burner Head Body	1	35	M51077-01AA	Side Cover	1
7-6	M50820-02	Barb Fitting	2	36	M11084-27	Screw, #10-16 x 1/2"	4
7-7	HA3012	Spark Plug	1	37	099125-03	Terminal Board	1
8	M11084-27	Screw, #10-16 x 1/2"	3	38	099157-01	Rivet	1
9	097293-01	Fan	1	39	079010-18	Wire Assembly (Red, 14 1/2")	1
10	***	Motor and Pump Assembly	1	40	M16841-57	Wire Assembly (Red, 6")	1
10-1	097300-02	Motor (Split Phase)	1	41	M27417	Drain Plug (Includes "O" Ring)	1
10-2	079975-01	Pump Body	1	42	099177-01	Hex Nut, 3/8 - 27	1
10-3	FHPF3-3C	Screw, #10-32 x 3/8"	2	43	099213-01	Bottom Plug	1
10-4	M22009**	Rotor Insert	1	<b>PARTS AVAILABLE - NOT SHOWN</b>			
10-5	M22456-1**	Pump Rotor	1		097896-04	Wheels	2
10-6	M50545	Pump End Cover	1		M51015-01	Axle	1
10-7	M12179**	Intake Filter	1		M12342-3	Wheel Support Frame	1
10-8	M16545	Filter End Cover	1		HA2203	Handle	2
10-9	M8940**	Steel Ball, 1/4" diameter	1		M12345-33	Screw, #10-24 x 1 3/4"	8
10-10	M10993-1**	Relief Spring	1		M28526	Nut cap	2
10-11	M27694**	Adjusting Screw	1		NTC-3C	Hex Lock Nut, #10-24	8
10-12	M22997**	Plug	1		097644-02	Tradename Decal (B110)	
10-13	M12461-31	Screw, #10-32 x 1"	10		M29936	Tradename Decal (F110H)	
10-14	M12244-1**	Output Filter	1		098493-01	General Information Decal	
10-15	M11637**	Lint Filter	1		099176-01	Owner's Manual	
10-16	M50820-02	Barb Fitting	1	<b>OPTIONAL ACCESSORIES</b>			
10-17	M8643**	Blade	4		HA1210	Hang-up Thermostat	
11	M50631	Rubber Bumper	2		HA1180	Air Gauge Kit	
12	098138-02	Motor Mounting Bracket	1		HA2210	Fuel Tank Filter Screen	
13	097061-01	Solid State Relay	1		HA3004	Rotor Kit (M22456-1, M22009, M8643)	
14	M15823-39	Screw, #8-18 x 1/2"	2		HA3017	Filter Kit (M11637, M12179, M12244-1, M51150-01)	
15	NTC-4C	Hex Lock Nut, 1/4-20	2		HA3020	Pump Kit (M27694, M10993-1, M22997, M8940)	
16	M51114-01	Fan Guard	1				
17	098557-06	Ignitor Kit	1				
18	M11084-29	Screw, #10-16 x 3/4"	2				
19	M51345-01	Fuel Line	1				
20	M51150-01**	Fuel Filter	1				
21	M51151-01	Fuel Line Tube	1				
22	M10990-3	Rubber Bushing	1				
23	M50814-03	Airline	1				

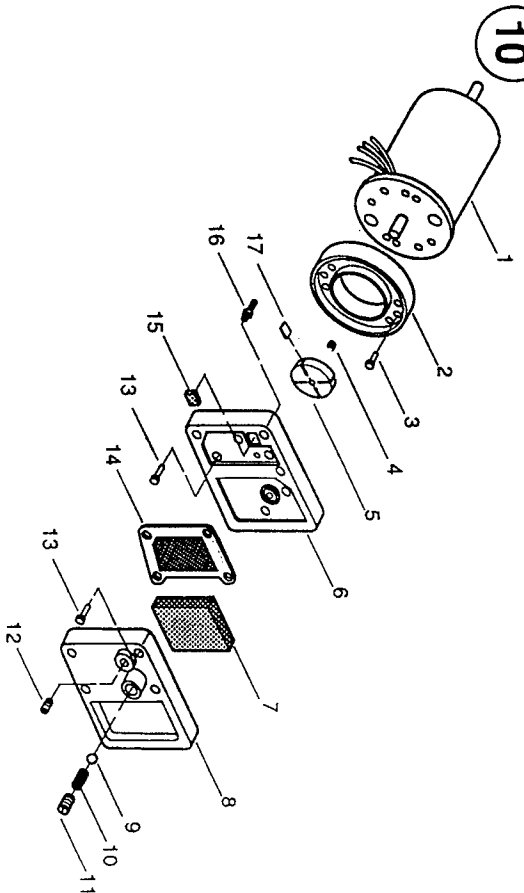
\*\* See OPTIONAL ACCESSORIES

\*\*\* Not available as an assembly.

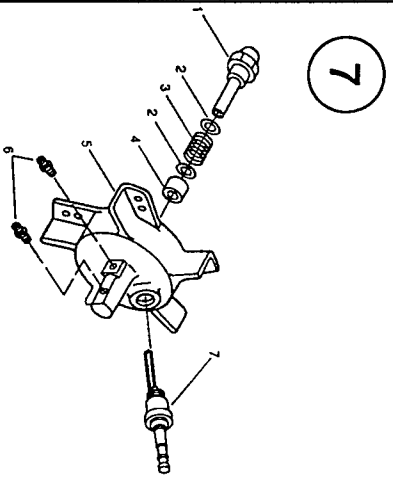
### HEATER EXPLODED VIEW



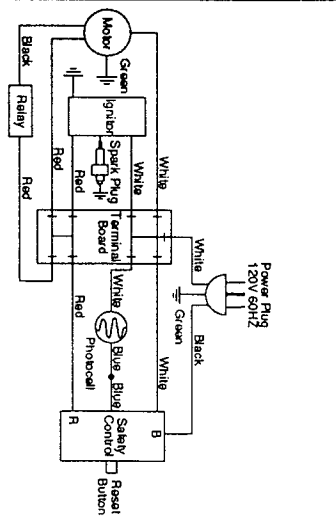
### MOTOR PACKAGE ASSEMBLY



### BURNER HEAD ASSEMBLY



### WIRING DIAGRAM



### SPECIFICATIONS

Output Rating (BTU Per Hour) 110,000  
 Fuel Kerosene or #1 fuel oil  
 Fuel Tank Capacity (U. S. Gallons) 9  
 Fuel Consumption (Approximate U.S. Gallons Per Hour) 0.83  
 Electric Requirements 120V/60Hz  
 Amperage (During Normal Run) 4.5  
 Starting Amps 10

Motor RPM 3450  
 Hot Air Output (Approximate CFM) 480  
 Air Pump Pressure (PSI) 4.5  
 Shipping Weight (Approximate Pounds) 56  
 Heater Weight Without Fuel (Approximate Pounds) 47