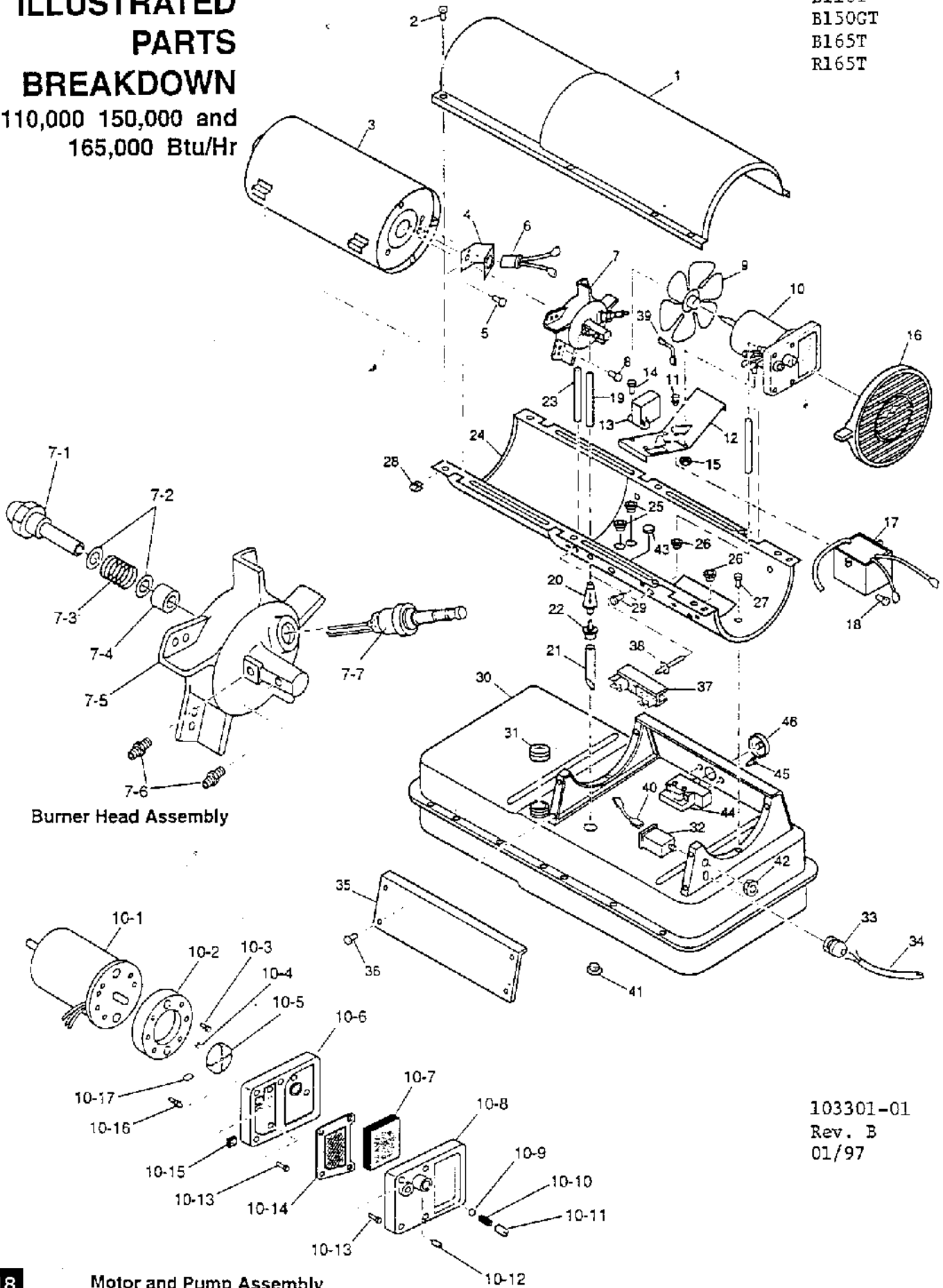


ILLUSTRATED PARTS BREAKDOWN

110,000 150,000 and
165,000 Btu/Hr

B110T
B150GT
B165T
R165T



Burner Head Assembly

Motor and Pump Assembly

103301-01
Rev. B
01/97

PARTS LIST
110,000 150,000 and
165,000 Btu/Hr
(With Thermostat)

This list contains replaceable parts used in your heater. When ordering parts, be sure to provide the correct model and serial numbers (from the model plate), then the part number and description of the desired part.

KEY NO.	PART NUMBER	DESCRIPTION	QTY.	KEY NO.	PART NUMBER	DESCRIPTION	QTY.
1	098511-138	Upper Shell (Yellow)	1	18	M11084-29	Screw, #10-16 x 3/4"	2
	098511-135	Upper Shell (White)	1	19	M51345-01	Fuel Line	1
2	100647-01	Screw, #10-16 x 1/2"	8	20	M51150-01**	Fuel Filter	1
3	098512-31	Combustion Chamber (110)	1	21	M51151-01	Fuel Line Tube (110 model)	1
	098512-37	Combustion Chamber (150)	1		M51151-02	Fuel Line Tube (150/165)	1
	098512-36	Combustion Chamber (165)	1	22	M10990-3	Rubber Bushing	1
4	M16660	Photocell Bracket (110)	1	23	M50814-03	Airline	1
	099229-01	Photocell Bracket (150/165)	1	24	098511-140	Lower Shell (Yellow)	1
5	M10908-2	Screw, #6-32 x 3/8"	2		098511-137	Lower Shell (White)	1
6	HA3019	Photocell Assembly	1	25	M50104-03	Bushing	2
7	***	Burner Head Assembly	1	26	M50104-01	Bushing	2
7-1	HA3009	Nozzle with Sleeve (110)	1	27	M11084-27	Screw, #10-16 x 1/2"	6
	HA3011	Nozzle with Sleeve (150)	1	28	M11271-8	Clip Nut	8
	HA3023	Nozzle with Sleeve (165)	1	29	M10908-14	Screw, #8-32 x 3/8"	1
7-2	M10659-1	Nozzle Washer	2	30	098513-87	Fuel Tank (110)	1
7-3	M10809-1	Nozzle Spring	1		098513-67	Fuel Tank (150/165)	1
7-4	M8882	Nozzle Sleeve	1	31	097702-01	Fuel Cap (Includes Gasket)	1
7-5	M50924-03	Burner Head Body (110)	1	32	HA3003	Flame-Out Control	1
	M50924-07	Burner Head Body (150/165)	1	33	M11143-1	Strain Relief Bushing	1
7-6	M50820-02	Barb Fitting	2	34	098219-24	Power Cord	1
7-7	HA3012	Spark Plug	1	35	M51077-01AA	Side Cover	1
8	M11084-27	Screw, #10-16 x 1/2"	3	36	M11084-27	Screw, #10-16 x 1/2"	4
9	097293-01	Fan (110/150)	1	37	099125-03	Terminal Board	1
	101897-01	Fan (165)	1	38	099157-01	Rivet	1
10	***	Motor and Pump Assembly	1	39	079010-20	Wire Assembly (Red, 18")	1
10-1	097300-02	Motor (110/150)	1	40	M16841-57	Wire Assembly (Red, 5")	1
	102001-07	Motor (165)	1	41	M27417	Drain Plug (Includes "o" Ring)	1
10-2	079975-02	Pump Body	1	42	099177-01	Hex Nut, 3/8 - 27	1
10-3	FHPF3-5C	Screw, #10-32 x 5/8"	2	43	099213-01	Button Plug	1
10-4	M22009**	Rotor Insert	1	44	097657-02	Thermostat	1
10-5	M22456-1**	Pump Rotor	1	45	M10908-1	Screw, #6-32 x 1/4"	2
10-6	M50545	Pump End Cover	1	46	097658-02	Knob	1
10-7	M12179**	Intake Filter	1	PARTS AVAILABLE - NOT SHOWN			
10-8	M16545	Filter End Cover	1	103473-04	General Info. Decal (B110T)	1	
10-9	M8940**	Steel Ball, 1/4" Diameter	1	098224-36	General Info. Decal (B150GT)	1	
10-10	M10993-1**	Relief Spring	1	103473-01	General Info. Decal (B165T)	1	
10-11	M27694**	Adjusting Screw	1	103473-03	General Info. Decal (R165T)	1	
10-12	M22997**	Plug	1	M9900-192	Combustion Chamber	1	
10-13	M12461-31	Screw, #10-32 x 1"	10		Grounding Wire	1	
10-14	M12244-1**	Output Filter	1	099650-01	Wire Clip (Secures thermostat and power cord wires)	1	
10-15	M11637**	Lint Filter	1	OPTIONAL ACCESSORIES			
10-16	M50820-02	Barb Fitting	1	HA3004	Rotor Kit (M22456-1, M22009, M8643)		
10-17	M8643**	Blade	4	HA3017	Filter Kit (M11637, M12179, M12244-1, M51150-01)		
11	M50631	Rubber Bumper	2	HA3020	Pump Kit (M27694, M10993-1, M22997, M8940)		
12	101206-01	Motor Mounting Bracket	1				
13	097061-01	Solid State Relay	1				
14	M15823-39	Screw, #8-18 x 1/2"	2				
15	NTC-4C	Hex Lock Nut, 1/4-20	2				
16	M51114-01	Fan Guard	1				
17	102482-01	Ignitor Kit	1				

** See OPTIONAL ACCESSORIES

*** Not available as an assembly.