

MASTER PORTABLE HEATER MODELS B150 and B150C Form No. 85C 9/1/61
 PORTABLE HEATER PARTS LIST

Figure & Index No.	Part Number	Part Name	Units Per Assy	
			Domestic	Canad
	M9106	Portable Heater Assy, Domestic	1	-
	M9136	Portable Heater Assy, Canadian	-	1
5-1	M9114	Front Handle	1	-
5-1	M9114-1	Front Handle	-	1
5-2	M3304	Rubber Tip	2	2
5-3	M3284-1	Rear Handle	1	1
5-4	M3976	Wheel	2	2
5-5	C4-8	Cotter Pin	4	4
5-6	WP8	Washer	8	8
5-7	M3100	Axle	1	1
5-8	M5164-1	Extension Cord	1	-
5-9	M3490	Service Cord	-	1
5-10	1001349	Straight Connector	1	-
5-11	M5285	Straight Connector, 1/2 in.	-	1
5-12	1000577	3/4" Grommet	3	1
5-12	1000576	1/2" Grommet (Electrode leads)	2	2
5-13	M3308	Switch Box Cover	1	-
5-14	M3480	Switch	1	-
5-15	M3307	Switch Box	1	-
5-16	M3259	Transformer	1	-
5-16	M3259-1	Transformer	-	1
5-17	M3364	Cowl	1	1
5-18	M3334-8	Tank to Filter Intake Fuel Line Assy	1	1
5-19	M3334-8	Pump to Tank Fuel Line Assy	1	1
5-20	M3973	Filter Assy	1	1
5-21	M4307	Filter Can (Replacement)	1	1
5-22	M3301-1	Filter Element (Replacement)	1	1
5-23	M3301-2	Filter Gasket (Replacement)	1	1
5-24	M3463	Nipple	1	1
5-25	57413	Street Elbow	1	1
5-26	M3297	Reducing Nipple	1	1
5-27	69255	Tee	1	1
5-28	57419	Pipe Plug	1	1
5-29		Deleted		
5-30	M3296	Fuel Valve	1	-
5-31		Deleted		
5-32	M3475	Pump to Burner Fuel Line Assy	1	1
5-33	M3475-1	Pump	1	1
5-34	M3473	Coupling	1	1
5-35	M3547	Fuel Pump Gasket	1	1
5-36	M9129	Motor	1	-
5-36	M6691	Motor	-	1
5-37	M3247	Fan Guard	1	1
5-38	M3243	Fan	1	1
5-39	M9107	Burner Head Assy	1	1
5-40	M9108	Nozzle	1	1
5-41	M4274	Nozzle Spring	1	1
5-42	M3853	Burner Body	1	1
5-43	M3980	Electrode Bushing	2	2
5-44	M3981	Electrode	2	2
5-45	M2294	Elbow	1	1
5-46	M3978	Air Deflector	1	1
5-47	M3908-1	Combustion Chamber Assy	1	1
5-48	M3286-1	Housing Assy	1	1
5-49	M3291	Access Door	1	1
5-50	M4791-1	Fuel Tank Assy	1	1
5-51	M3353	Filler Cap	1	1
5-52	M2436	Connector, 1/4" pipe to 1/4" tube	1	1
5-53	M2438	Elbow, 1/4" pipe to 1/4" tube	1	1
5-54	M9135	Pump Support Bracket	1	-
5-54	M3526	Pump Support Bracket	-	1
5-55	M3299	Electrode Lead Assy (For Standard Heaters)	2	-
5-56	M3429-2	Electrode Lead Assy (For CSA Heater)	-	2
5-57	M4037	Thermostat	*	1
5-58	M3530	Thermostat Bracket	*	-
5-59	M3974-1	Solenoid Valve	*	1
5-60	M5653	Combustion Control	\$	1
5-61	M3492	Combustion Control Bracket	\$	1
5-62	M5654	Flame Detector	\$	1
5-63	M5829	Reset Knob	\$	1
5-64	M5644	Cover	\$	1
5-65	M3307	Junction Box	\$	1
5-66	M5652	Spacer	\$	1
5-67	M5649	Junction Box Cover	\$	1
5-68	M3586	Bushing (With 50460 Lock Nut) Junction Box to Control	\$	1
5-69	M3587	Duct	\$	1
5-70	M5285	Straight Connector	\$	1
5-71	M2739	90° Connector	\$	5
5-72	M2738	Straight Connector	\$	3
5-73	M5655	Cable Assy, Flame Detector to Combustion Control	\$	1
5-74	M3438-10	Conduit, Flame Detector to Combustion Control	-	1
5-75	M3438-11	Conduit, Junction Box to Motor	-	1
5-76	M3438-8	Conduit, Junction Box to Solenoid	-	1
5-77	M3438-12	Conduit, Junction Box to Transformer	-	1
5-78	M5895	Thermal Switch	†	

† Optional. Part of Combustion Control Kit, Part No. M5839.

* Optional. Part of Thermostat Kit, Part No. M4038

† Optional. Part of Fan Shut Off Kit, Part No. M6764 to be used on heaters already equipped with M-4038 thermostat.

M-4038 FS Thermostat Control Kit. consisting of thermostat kit No. M-4038 and Fan Shut Off Kit No. M-8764.

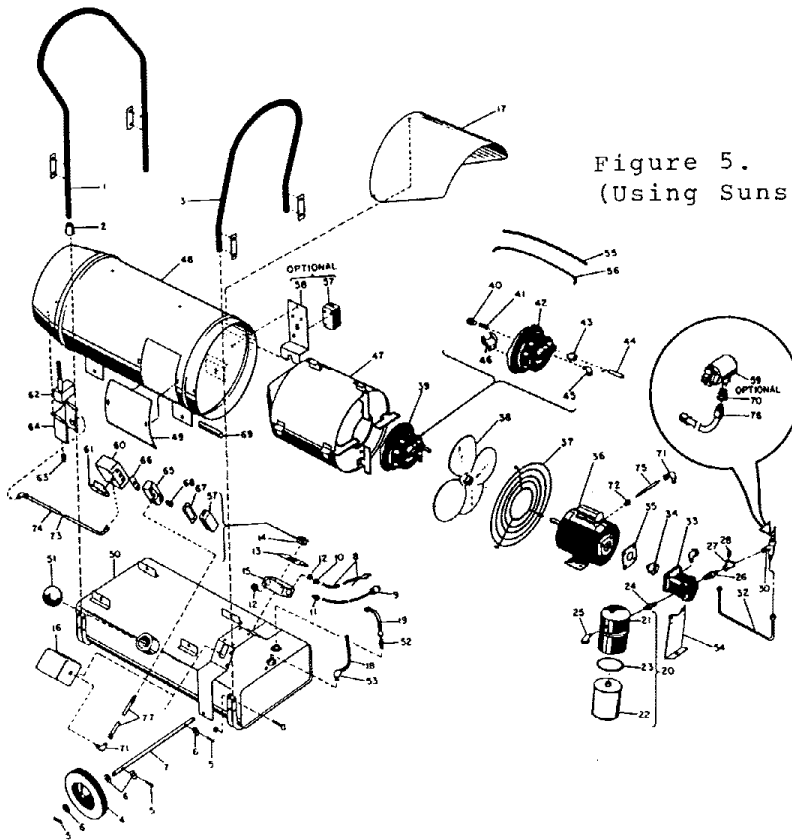


Figure 5. Heater Exploded View (Using Sunstrand Pump)

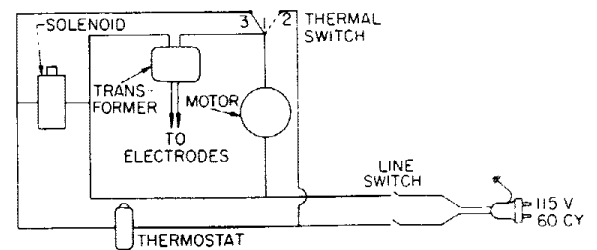


Figure 3A. Wiring Diagram for Thermostatically Controlled Heater with Fan Shut Off Kit

Figure 5. Heater Exploded View

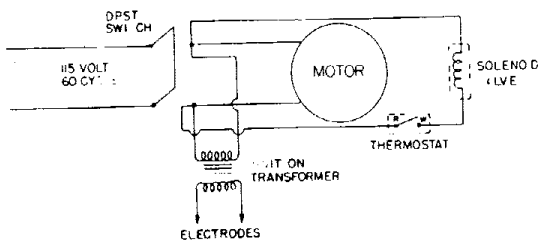


Figure 3. Wiring Diagram for Thermostatically Controlled Heater

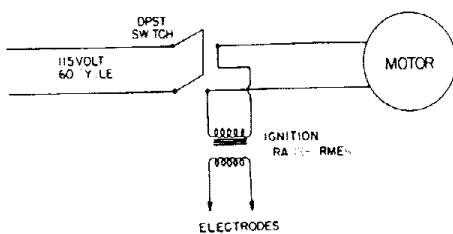
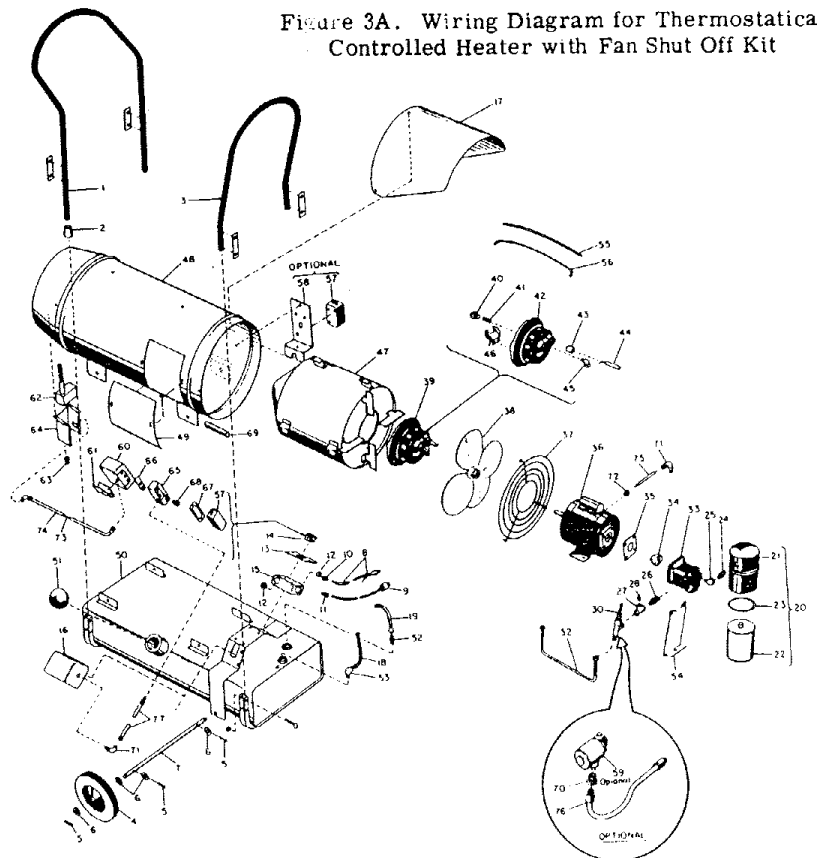


Figure 2. Wiring Diagram for Manually Controlled Heater



B150C PARTS

MASTER PORTABLE HEATER MODELS B150 and B150C
Form No. 85C 9/1/61

REF. NO.	PART NO.	DESCRIPTION	QTY.	REF. NO.	PART NO.	DESCRIPTION	QTY.				
1	M17014AB	Shell, Upper	1	17	M16661	Clamp, Motor	4				
2	M16679	Deflector, Heat	1	18	M51043-01	Screw, #1/4-20 x 1 1/2	2				
3	M16887-6	Assem. Combustion Chamber	1	19	WLM-4C	Lockwasher 1/4 In.	2				
4	M11084-27	Screw, #10-16 x 1/2	2	20	NPC-4C	Nut, Hex #1/4-20	2				
5	M11084-29	Screw, #10-16 x 3/4	2	21	M16810A	Shell, Lower	1				
6	M16656-4	Photocell Assembly	1	22	M11084-27	Screw, #10-16 x 1/2	6				
7	M16660	Bracket, Photocell	1	23	M11271-8	Nut, Clip	6				
8	M10908-2	Screw, #6-32 x 3/8	2	24	M12828	Bracket, Shell Support	1				
9	***	Burner Head Assembly	1	25	M11084-27	Screw, #10-16 x 1/2	8				
9-1	M16790-12	Fuel Line	1	26	M11084-29	Screw, #10-16 x 3/4	2				
9-2	M19630	Filter, Screen Fuel	1	27	1000576	Grommet, leads thru Lower Shell	2				
9-3	M50660-05	Nut, Flare	1	28	M50671-01	Safety Control	1				
9-4	079685-01	Connector, Male	1	29	097061-01	Solid State Relay	1				
9-5	M50820-02	Fitting, Barb	1	30	**	Screw, #8-15 x 1/2	2				
9-6	M8882	Sleeve Nozzle	1	31	097060-01	Bracket, Solid State Relay	1				
9-7	M10659-1	Washer, Nozzle	2	32	M11084-27	Screw, #10-16 x 1/2	1				
9-8	M10809-1	Spring, Nozzle	1	33	M16645	Bracket, Motor Support 1	1				
9-9	M18022	Nozzle, 1.1 RPH	1	34	1000577	Grommet	1				
9-10	M10962-2	Spark Plug	1	35	079870-01	Ignitor	1				
9-11	M50924-01	Body, Burner Head	1	36	M11084-27	Screw, #10-16 x 1/2	2				
10	M11084-27	Screw, #10-16 x 1/2	3	37	M11143-1	Bushing, Strain Relief	1				
11	M50814-03	Airline, Tubing	1	38	M10813-86	Cord, Power	1				
12	M50873-01	Clip, Airline	2	39	079666-26	Tank, Fuel	1				
13	**	Wire Assembly (red, 6")	2	40	097702-01	Cap, Fuel	1				
14	M11084-27	Screw, #10-16 x 1/2	1	41	M10990-3	Bushing, Fuel line into Fuel Tank	1				
15	M17058	Fan	1	42	M11084-27	Screw, #10-16 x 1/2	2				
16	***	Motor & Pump Assembly	1	43	M11084027	Screw, #10-16 x 1/2	2				
16-1	M16545	Cover, End Filter	1	44	M27417	Plug, Drain	1				
16-2	M12461-31	Screw, #10-32 1	10	45	079900-02	Cable, Ignitor, Assy.	1				
16-3	M12179	Filter, Intake	1	46	**	Primary wire (white)	1				
16-4	M12244-1	Filter, Output	1	47	**	Primary wire (red)	1				
16-5	M11637	Filter, Lint	1	PARTS AVAILABLE - NOT SHOWN							
16-6	M50545	Cover, End Pump	1								
16-7	M8643	Blade	4								
16-8	M22456-1	Rotor Pump	1								
16-9	M22009	Insert, Rotor	1								
16-10	079975-01	Pump Body	1								
16-11	FHPF3-2C	Screw, #10-32 x 1/4	2								
16-12	M50820-01	Fitting, Barb	1								
16-13	M22997	Plug	1								
16-14	M27694	Screw, Adjusting	1								
16-15	M10993-1	Spring, Relief	1								
16-16	M8940	Ball, 1/4 dia.	1								
16-17	097307-01	Motor	1								
								097643-01 Decal Tradename			
								**Available from your local hardware store.			
								***Not available as an assembly.			

