

PORTABLE FORCED AIR HEATER

Illustrated Parts List

PFA

Issued: February, 1994

Master - B150M

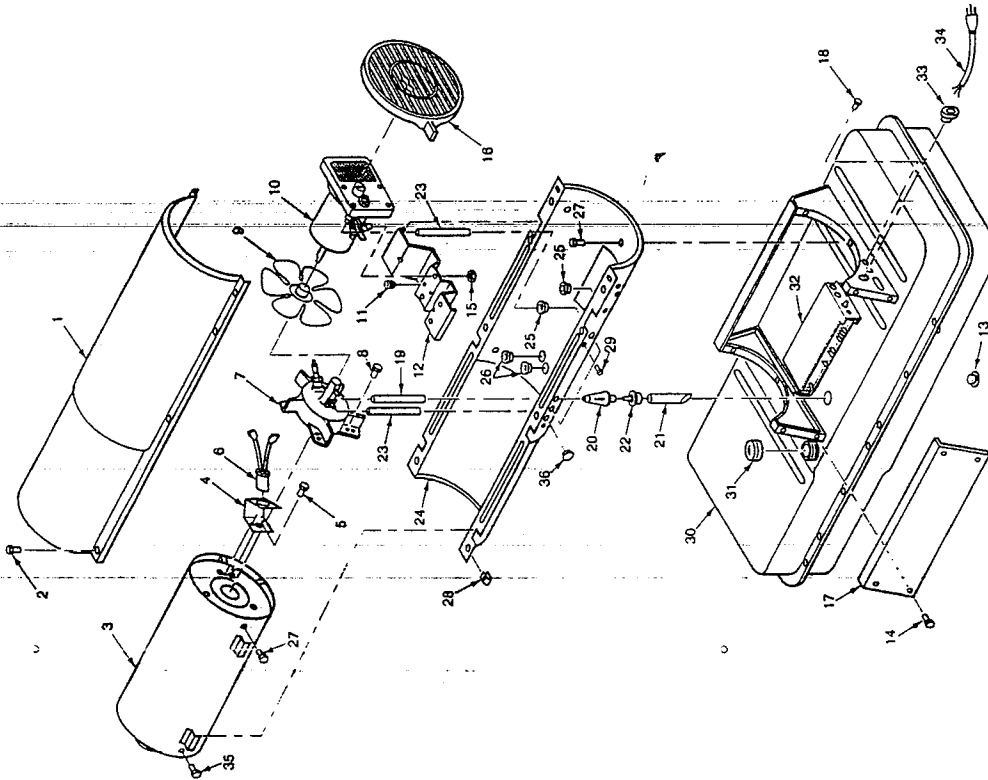
IMPORTANT: Do not use key numbers when ordering service parts. Always order components by part number and description. Include model and serial numbers.

KEY NO.	PART NUMBER	DESCRIPTION	QTY.	KEY NO.	PART NUMBER	DESCRIPTION	QTY.
1	098511-135	Upper Shell	1	20	M51150-01**	Fuel Filter	1
2	100647-01	Screw, #10-16 x 1/2"	8	21	M51151-02	Fuel Line Tube	1
3	098512-29-29	Combustion Chamber	1	22	M10990-3	Rubber Bushing	1
4	099229-01	Photocell Bracket	1	23	M50814-03	Airline	1
5	M10908-2	Screw, #6-32 x 3/8"	2	24	098511-136	Lower Shell	1
6	M16656-19	Photocell Assembly	1	25	M50104-01	Bushing	2
7	***	Burner Head Assembly	1	26	M50104-03	Bushing	2
7-1	HA3010	Nozzle with Sleeve	1	27	M11084-27	Screw, #10-16 x 1/2"	6
7-2	M10659-1	Nozzle Washer	2	28	M11271-8	Clip Nut	8
7-3	M10809-1	Nozzle Spring	1	29	M15823-39	Screw, #8-18 x 1/4"	1
7-4	M8882	Nozzle Sleeve	1	30	098513-68	Fuel Tank	1
7-5	M50924-03	Burner Head Body	1	31	097702-01	Fuel Cap (Includes Gasket)	1
7-6	M50820-02	Barb Fitting	2	32	100777-02	Microprocessor Control	1
7-7	HA3012	Spark Plug	1	33	M11143-1	Strain Relief Bushing	1
7-8	100909-01	Washer	1	34	098219-26	Power Cord	1
	M11084-27	Screw, #10-16 x 1/2"	3	35	099230-01	Shoulder Screw	2
9	097293-01	Fan	1	36	099213-01	Button Plug	1
10	***	Motor and Pump Assembly	1	PARTS AVAILABLE - NOT SHOWN			
10-1	102762-02	Motor (Split Phase)	1		097896-01	Wheels	2
10-2	079975-002	Pump Body	1		M16801-2	Axle	1
10-3	FHPF3-2C	Screw, #10-32 x 1/2"	2		M12831-3	Wheel Support Frame	1
10-4	M22009**	Rotor Insert	1		HA2204	Front Handle	1
10-5	M22456-1**	Pump Rotor	1		M12345-33	Screw, #10-24 x 1 3/4"	8
10-6	M50545	Pump End Cover	1		M28526	Nut cap	2
10-7	M12179**	Intake Filter	1		NTC-3C	Hex Lock Nut, #10-24	8
10-8	M16545	Filter End Cover	1		097204-05	Tradename Decal	
10-9	M8940**	Steel Ball, 1/4" diameter	1		100830-01	Diagnostic Decal	
10-10	M10993-1**	Relief Spring	1		098224-18	General Information Decal	
10-11	M27694**	Adjusting Screw	1		100807-01	Owner's Manual	
10-12	M22997**	Plug	1	OPTIONAL ACCESSORIES			
10-13	M12461-31	Screw, #10-32 x 1"	10		HA1210	Hang-up Thermostat	
10-14	M12244-1**	Output Filter	1		HA1180	Air Gauge Kit	
10-15	M11637**	Lint Filter	1		HA2210	Fuel Tank Filter Screen	
10-16	M50820-02	Barb Fitting	1		HA3004	Rotor Kit (M22456-1, M22009, M8643)	
10-17	M8643**	Blade	4		HA3017	Filter Kit (M11637, M12179, M12244-1, M51150-01)	
11	M50631	Rubber Bumper	2		HA3020	Pump Kit (M27694, M10993-1, M22997, M8940)	
12	101206-01	Motor Mounting Bracket	1				
13	M27417	Drain Plug (Includes "O" Ring)	1				
14	M11084-27	Screw, #10-16 x 1/2"	4				
15	NTC-4C	Hex Lock Nut, 1/4-20	2				
16	M51114-01	Fan Guard	1				
17	M51077-01AA	Side Cover	1				
18	M11084-26	Screw, #10-16 x 3/8"	2				
	M51345-02	Fuel Line	1				

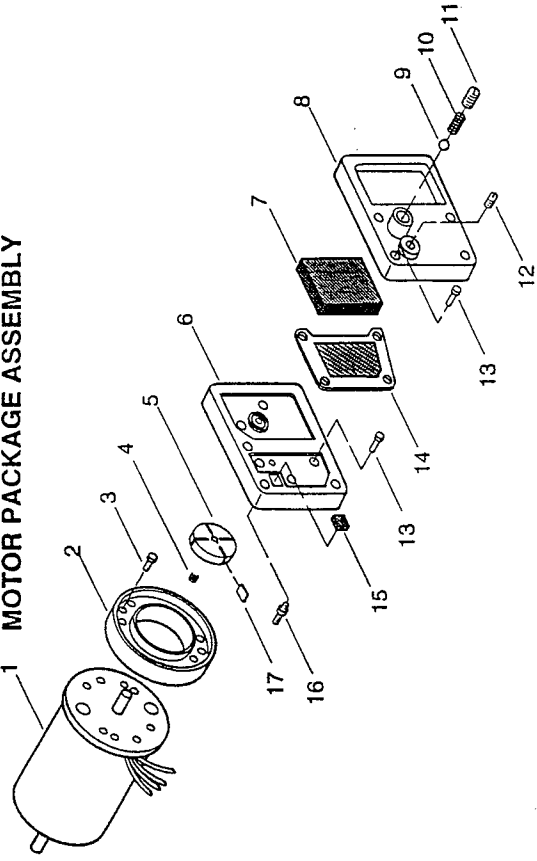
** See OPTIONAL ACCESSORIES

*** Not available as an assembly.

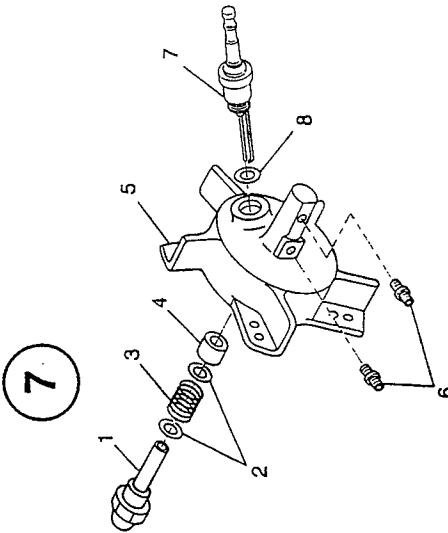
HEATER EXPLODED VIEW



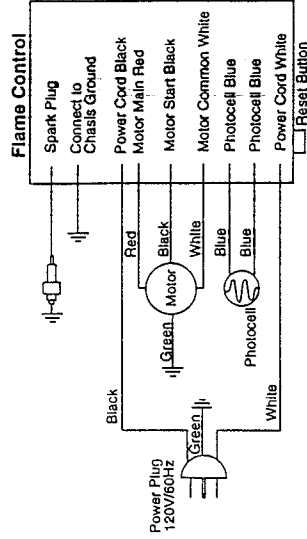
10 MOTOR PACKAGE ASSEMBLY



7 BURNER HEAD ASSEMBLY



WIRING DIAGRAM



SPECIFICATIONS

Output Rating (BTU Per Hour)
 Fuel
 Fuel Tank Capacity (U. S. Gallons)
 Fuel Consumption (Approximate U.S. Gallons Per Hour)
 Electric Requirements
 Amperage (During Normal Run)
 Starting Amps

150,000
 Kerosene or #1 fuel oil
 13.5
 1.10
 120V/60Hz
 4.5
 10

Motor RPM
 Hot Air Output (Approximate CFM)
 Air Pump Pressure (PSI)
 Shipping Weight (Approximate Pounds)
 Heater Weight Without Fuel (Approximate Pounds)

3450
 500
 5.0
 65
 54
 No Duct Recommended