



**MODEL B50A**

Spec. No. 5003G05

---

**PARTS LIST  
UNIT SPECIFICATIONS  
WARRANTY STATEMENT**

---



**KOEHRING®**

**COMPACTION AND GENERAL EQUIPMENT GROUP**  
DAYTON, OHIO 45401

When ordering your part, be sure to provide all pertinent facts when you call or visit your service dealer.

The model and serial number of your portable heater will be found on a decal toward the rear (motor end) of your unit.

When ordering repair parts always give the following:

A) Part Number

B) Model Number

C) Description

NOTE: All painted service parts will be shipped painted a common color of baked enamel finish coat. Parts may be repainted if necessary.

Key No.	Part Number	Part Name or Description	Qty.
1	M11084-26	Screw, Hex hd., 10-12 x 3/8 in.	6
	M30725-05	Upper Shell Assembly	1
2	M17539-9	. Rivet	4
3	M28153	. Handle	1
4	M30724AZ	. Shell	1
5	M30883-01	Chamber Assembly, Combustion	1
6	M11084-26	Screw, Hex hd., 10-12 x 3/8 in.	4
7	M29707-02	Burner Head Assembly	1
8	M29824	. Nut, Special 14 MM	1
9	M29835	. Spark Plug	1
10	M16741-18	. Ring, Retainer	1
	M29705-02	. Nozzle Adapter Assembly	1
11	M30875	.. Nozzle, Siphon	1
12	M29805	.. Adapter, Nozzle	1
13	M29615-01	..Bracket Assembly, Nozzle Adapter	1
14	M10908-1	Screw, Hex hd., 6-32 x 1/4 in.	2
15	M16656-3	Photocell and Bushing Assembly	1
16	M16660	Bracket, Photocell	1
17	M29652-02	Tubing, Fuel	1
18	M29814-01	Filter Assembly, Fuel	1
19	M10990-3	Bushing, Rubber	1
20	M11084-26	Screw	1
21	M13942-5	Connector, Wire	2
22	M13942-7	Connector, Wire	1
23	100576	Grommet	2
24	M30884	Fan	1
25	M16841-16	Wire Assembly	1
26	M28898-03	Safety Control Assembly	1
27	M29652-01	Tubing, Airline	1
28	M11084-26	Screw, Hex. hd.	2
29	M16697-02	Transformer Assembly	1
30	NTC-3C	Nut	4
31	M12461-50	Screw	4
32	M29800	Decal, Reset	1
33	M29750-02	Motor Package Assembly	1
34	M11084-26	Screw	4
35	M29616	Motor Mounting Bracket	1
36	M11271-6	Nut, Tinnerman	6
37	M11143-1	Bushing, Strain Relief	1
38	M10813-74	Extension Cord Assembly	1
39	M11084-26	Screw	4
	M12250-2	Nut, Tinnerman	4
41	M30763AZ	Shell, Lower	1
42	M30715-01	Cap, Fuel	1
43	M30873-01AA	Tank Assembly, Fuel	1
44	M11084-26	Screw, Hex., hd. 10-12 x 3/8 in.	2
45	M30726AA	Bracket End Cover	1
46	M11084-26	Screw, Hex. hd., 10-12 x 3/8 in.	2
47	M31348-01	Assembly Shell Support	1
48	M50323	Screen, Filter	1

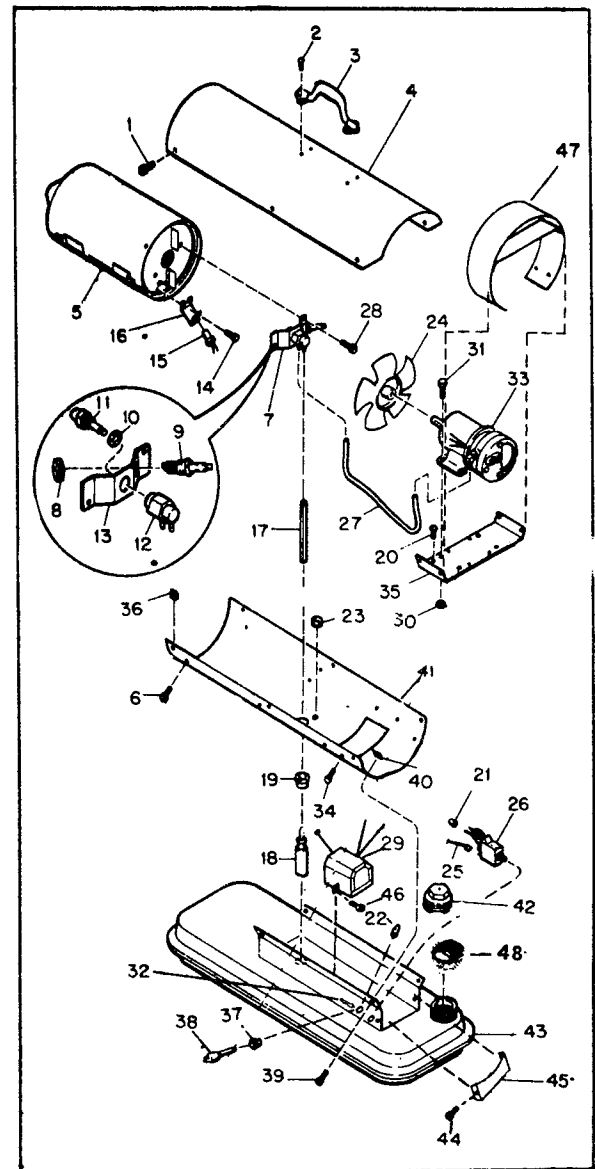


Figure 1, Exploded View

### SPECIFICATIONS

Output Rating (BTU per hour)	50,000
Amperage (During normal run)	2.85
Starting	4.00
Air Pump Pressure (PSI)	3.6
Weight (Approx. lbs.) Shipping	34
Fuel Tank Capacity, U.S. Gallons	3.50
Fuel Consumption, Appox. U.S. Gal. per hour	0.36
Electrical Requirements Voltage	115
Cycles	60
Air Output (CFM)	145
Motor RPM	1675
Fuel	Kerosene or No. 1 Fuel Oil only
Duct	No Duct Recommended



(B)

**KEEP THIS WARRANTY**

Model \_\_\_\_\_

Serial No. \_\_\_\_\_

Date Purchased \_\_\_\_\_

Fill in above information for your own record

*ALWAYS SPECIFY MODEL AND SERIAL NUMBERS WHEN COMMUNICATING WITH THE FACTORY.*

WE RESERVE THE RIGHT TO AMEND THESE SPECIFICATIONS AT ANY TIME WITHOUT NOTICE. THE ONLY WARRANTY APPLICABLE IS OUR STANDARD WRITTEN WARRANTY. WE MAKE NO OTHER WARRANTY, EXPRESSED OR IMPLIED

**CERTIFICATE OF GENERAL EQUIPMENT - LIMITED SIX MONTHS WARRANTY (U.S.A.)**

"Koehring Company warrant new Products sold by it to be free from defects in material or workmanship for a period of six months after date of delivery to the first user and subject to the following conditions:

"Koehring Company's obligation and liability under this Warranty is expressly limited to repairing or replacing at Koehring Company's option, any parts which appear to Koehring Company upon inspection to have been defective in material or workmanship when shipped from the factory. Such parts shall be provided at no cost to the user, at the business establishment of any factory authorized service center or the factory during regular working hours. This Warranty shall not apply to component parts or accessories of Products not manufactured by Koehring Company and which carry the warranty of the manufacturer thereof, or to normal maintenance (such as pressure adjustments) or to normal maintenance parts (such as filters and spark plugs). Replacement or repair parts installed in the Product covered by this Warranty are warranted only for the remainder of this Warranty as if such parts were original components of said Product. **KOEHRING COMPANY MAKES NO OTHER EXPRESS WARRANTY TO THE EXTENT PERMITTED BY LAW. KOEHRING COMPANY MAKES NO IMPLIED WARRANTY AND MAKES NO WARRANTY OF MERCHANTABILITY OR FITNESS FOR ANY PARTICULAR PURPOSE. IN ANY EVENT IMPLIED WARRANTIES INCLUDING THOSE OF MERCHANTABILITY AND FITNESS FOR A PARTICULAR PURPOSE ARE LIMITED TO THE DURATION OF THIS EXPRESS WARRANTY.** (Some states do not allow limitations of how long an implied warranty lasts, so the above limitation may not apply to you.)

Any transportation charges, costs of installation, duty, taxes or any other charges whatsoever must be borne by the user. Koehring Company's obligation under this limited Warranty shall not include any liability for direct, indirect, incidental, or consequential damage or delay. (Some states do not allow the exclusion or limitation of incidental or consequential damages, so the above may not apply to you.) If requested by Koehring Company, Products or parts for which a warranty claim is made are to be returned transportation prepaid by user to the factory. Any improper use, including operation after discovery of defective or worn parts, operation beyond rated capacity, substitution of parts not approved by Koehring Company, or any alteration or repair by others in such manner as in Koehring Company's judgment affects the Product materially and adversely, shall void this Warranty.

"NO EMPLOYEE OR REPRESENTATIVE IS AUTHORIZED TO CHANGE THIS WARRANTY IN ANY WAY OR GRANT ANY OTHER WARRANTY UNLESS SUCH CHANGE IS MADE IN WRITING AND SIGNED BY AN OFFICER OF KOEHRING COMPANY AT ITS HOME OFFICE."

This Warranty gives you specific legal rights and you may also have other rights which vary from state to state. For information write Koehring Construction Equipment Division, 400 Wayne Avenue, Dayton, Ohio 45401, Attention: Manager, Warranty Administration.

C4213-06



FIRST CLASS  
PERMIT NO. 521  
Bowling Green,  
Kentucky 42101

**BUSINESS REPLY MAIL**  
No Postage Stamp Necessary If Mailed In The United States



**KOEHRING**  
ATOMASTER DIVISION  
BOWLING GREEN, KENTUCKY 42101

