

BL65 + BL65D

## SECTION VI PARTS LIST

This section contains a list of all replaceable parts used in the heater covered by this manual. The only parts that are recommended for replacement by the heater's owner or user are indicated by the symbol (\*\*). Parts indicated by the symbol (\*) are standard hardware items, and may be obtained locally.

To order parts, first check the nameplate decal for the correct model number and Spec. No. of the heater. INCLUDE THE MODEL AND SPEC. NUMBER WHEN ORDERING PARTS. Do not use the index numbers from the illustration when ordering parts. Specify color when ordering painted parts.

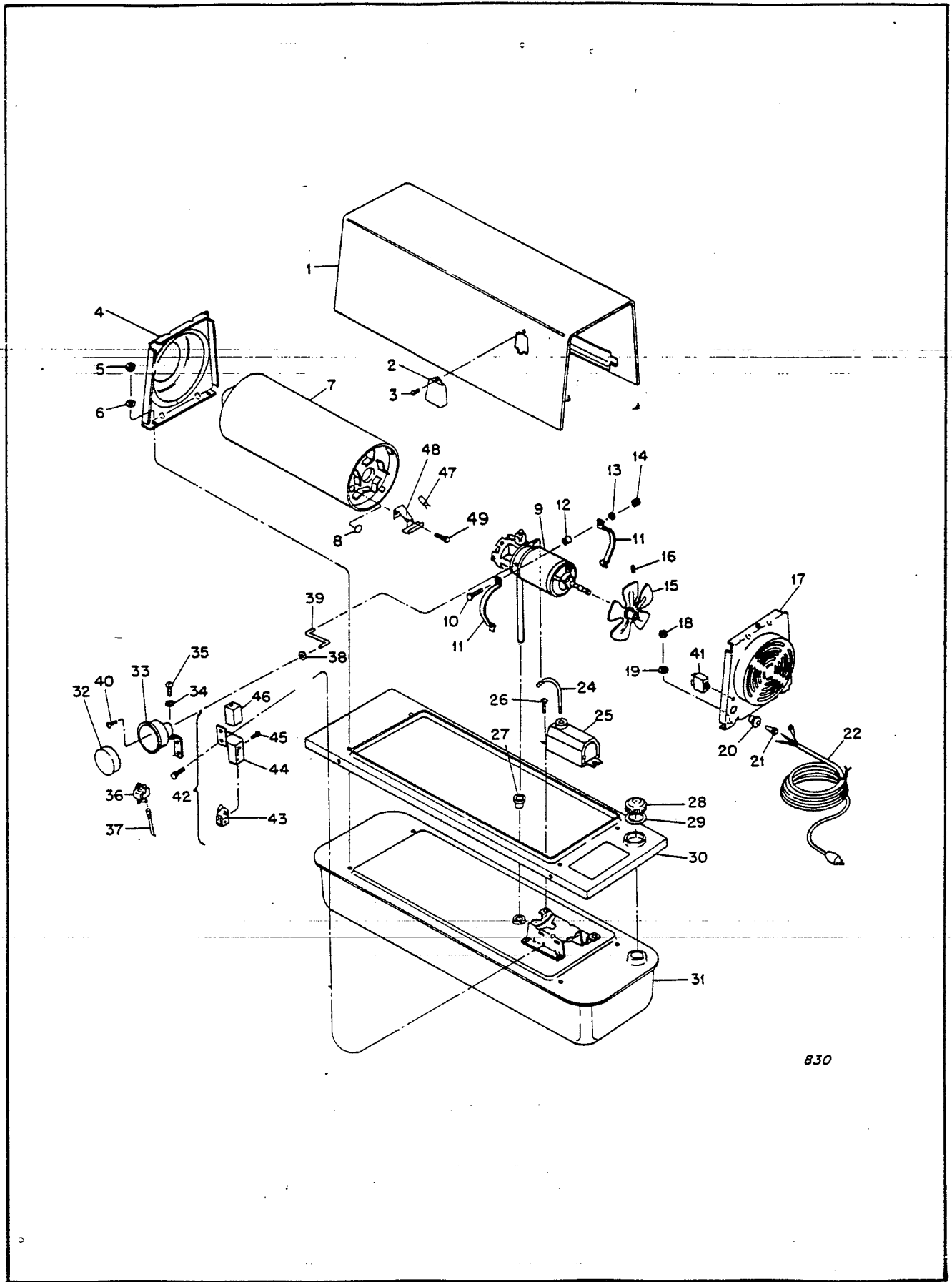
### PARTS LIST FOR BASIC HEATER ASSEMBLY

Index No.	Part Number	Part Name or Description	Notes	Quan.	Index No.	Part Number	Part Name or Description	Notes	Quan.
14-1	M12436-1A	Housing, Heater		1	35	*RC-2C	Screw, Rd hd., No. 8-32 x 1/4 in.		1
2	M12568A	Cover, Filter		1	-	*RC2-3C	Screw, Rd hd., No. 8-32 x 3/8 in. (For ground wire)		1
3	*M10908-2	Screw, Hex hd, slotted No. 6-32 x 3/8 in., Type "S"		1	36	M12462-5	Relay, Motor starting		1
4	M15767-1A	End Cap and Nose Cone		1	37	M9900-37	Wire Assy (to Relay)		1
5	*NPC-4C	Nut, Plain hex, 1/4-20		2	38	M13293	Grommet, Rubber		1
6	*WLI-4C	Lockwasher, Internal tooth, 1/4 in.		2	39	M12432	Tube, Air intake		1
7	M15770-3	Combustion Chamber		1	40	*M11084-27	Screw, Self-tapping, Hex hd No. 10-12 x 1/2 in., Type "A"		2
8	M15995	Plug, Button	#	1	41	M14360	Circuit Breaker	¢	1
9	Ref.	Motor Pump and Burner Head Assembly (See Figure 15)		1	42	M14379-2	Relay and Bracket Assy	¢	1
10	*HC4-10C	Screw, Rd hd, 1/4-20 x 1-1/4 in.		2	43	M14378-1	Relay Assy, Control	¢	1
11	M16661	Clamp, Motor		4	44	M14370	Bracket, Relay	¢	1
12		Not Used			45	M12461-2	Screw, Hex hd, No. 6-32 x 3/8 (Relay Mtg.)	¢	1
13	*WLM-4C	Lockwasher, 1/4 in.		2	46	M14983	Dust Cover, Relay	¢	1
14	*NPC-4C	Nut, Plain hex, 1/4-20		2	47	M16656-1	Photocell and Bushing Assy	¢	1
15	M20517	Fan		1	48	M16660	Bracket, Photocell	¢	1
16	SFK4-2	Setscrew, Soc hd, cup pt, 1/4-28 x 1/4 in.		2	49	*M10908-1	Screw, Self-tapping, hex hd No. 6-32 x 1/4 in. Type S	¢	1
17	M12427-1A	Fan Guard Assy		1		M9900-36	Wire Assy, Red	¢	1
18	*NPC-4C	Nut, Plain, Hex 1/4-20		2		M13942-2	Connector, Wire	¢	1
19	*WLI-4C	Lockwasher, Internal tooth, 1/4 in.		2		M13942-4	Connector, Wire		2
20	M11143-1	Bushing, Strain relief		1	TOUCH-UP PAINT				
21	M13942-4	Connector (Wire Nut)		2		M13386-4	Touch-up Paint, Aerosol Can, Yellow		
22	M10813-37	Cord, Service (Extension)	#	1		M13386-8	Touch-up Paint, Aerosol Can, Black		
	M10813-38	Cord, Service (Extension)	¢	1	DECALS				
23		Not Used				M14365	Decal, Wiring	¢	1
24	M10816-15	Lead, Electrode		1		M12634	Decal, Wiring	#	1
25	M15063	Transformer		1		M17081	Decal, Atomaster		1
26	*M15823-26	Screw, Hex hd No. 10-12 x 3/8 in., Type "B"		1		M17137	Decal, Trade name		1
27	M10990-3	Bushing, Rubber		1		M18196	Decal, Mfg By		1
28	M11151-1	Cap, Fuel tank filler		1		M22743	Decal, Warning		1
30	M12424A	Skirt, Fuel tank		1		M22898	Decal, NP		1
31	M10716-1A	Fuel Tank Assy		1					
32	**M11146-1	Element, Intake air filter		1					
33	M17018-1	Filter Body and Bracket Assy		1					
-	M17019	Bracket, Filter		1					
34	WLI-2C	Lockwasher, No. 8		2					

\* Standard Hardware - Procure Locally.

# Standard Models Only.

¢ Deluxe Models Only.



830

Figure 14. Exploded View of General Assembly

B65 + B65D

PARTS LIST FOR MOTOR, PUMP AND BURNER HEAD ASSEMBLY

Index No.	Part Number	Part Name or Description	Quan.
	M19115-5	Motor, Pump and Burner Head Assy	1
(A)	M19113-2	Burner Head Assy	1
1	M13960	Nozzle, Siphon	1
2	M10659-1	Washer, Nozzle seal	2
3	M10809-1	Spring, Nozzle seal	1
4	M8882	Sleeve	1
5	M22997	Plug, Socket thd	1
6	M23105	Screw, Adjusting	1
7	M10993-1	Spring, Pressure relief	1
8	M8940	Ball	1
9	*M12461-54	Screw, Hex hd., No. 10-24 x 7/8 in.	2
10	M12576	Body Valve	1
11	M12577	Gasket	1
12	M15241	Output Filter Element	1
13	M16896-1	Spark Plug Assy	1
14	*M10908-38	Screw, No. 12-24 x 3/8 in., Type S	1
15	M13849	Nut, Flared	1

Index No.	Part Number	Part Name or Description	Quan.
16	M16790	Tube, Fuel Filter	1
17	M19630	Filter, Fuel	1
18	M16791	Connector, Male	1
19	ROP12-8	Roll Pin	4
20	M19112	Body, Burner Head	1
(B)	M19114-1	Motor and Pump Assy	1
21	*FHPF3-8C	Screw, Fil. hd., No. 10-32 x 1/2 in.	4
22	M12430	End cover pump	1
23	*FHPF3-4C	Screw, Fil. hd., No. 10-32 x 1/2 in.	2
24	M8645	Pump Body	1
25	M22456-1	Pump Rotor	1
26	M22009	Insert, Pump Rotor	1
27	M8643	Blade	1
28	M17941	Motor	1
29	M13372	Seal (O-Ring)	1
30	*FHF3-20C	Screw, Fil. hd., No. 10-32 x 2-1/2 in.	2

\* Standard hardware - Obtainable locally.

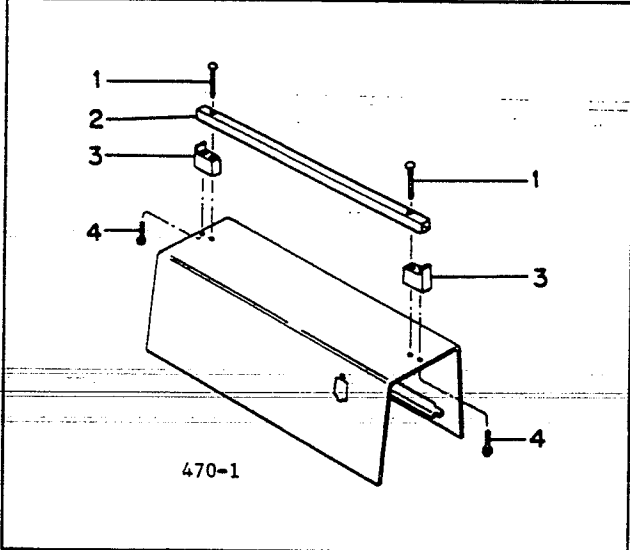


Figure 16. Handle Arrangement

HANDLE ARRANGEMENT

Index No.	Part Number	Part Name	Notes	Quan.
1	*RPC4-18C	Screw, Rd hd., 1/4-20 x 2-1/4		2
2	M12440-2A	Handle	#	1
	M12440	Handle	¢	1
3	M12439L	Support, Handle		1
4	*M10908-58	Screw, Self-tapping, Hex hd., No. 10-24 x 1-1/2 in., Type "S"		2

# Standard Models Only.  
¢ Deluxe Models Only.

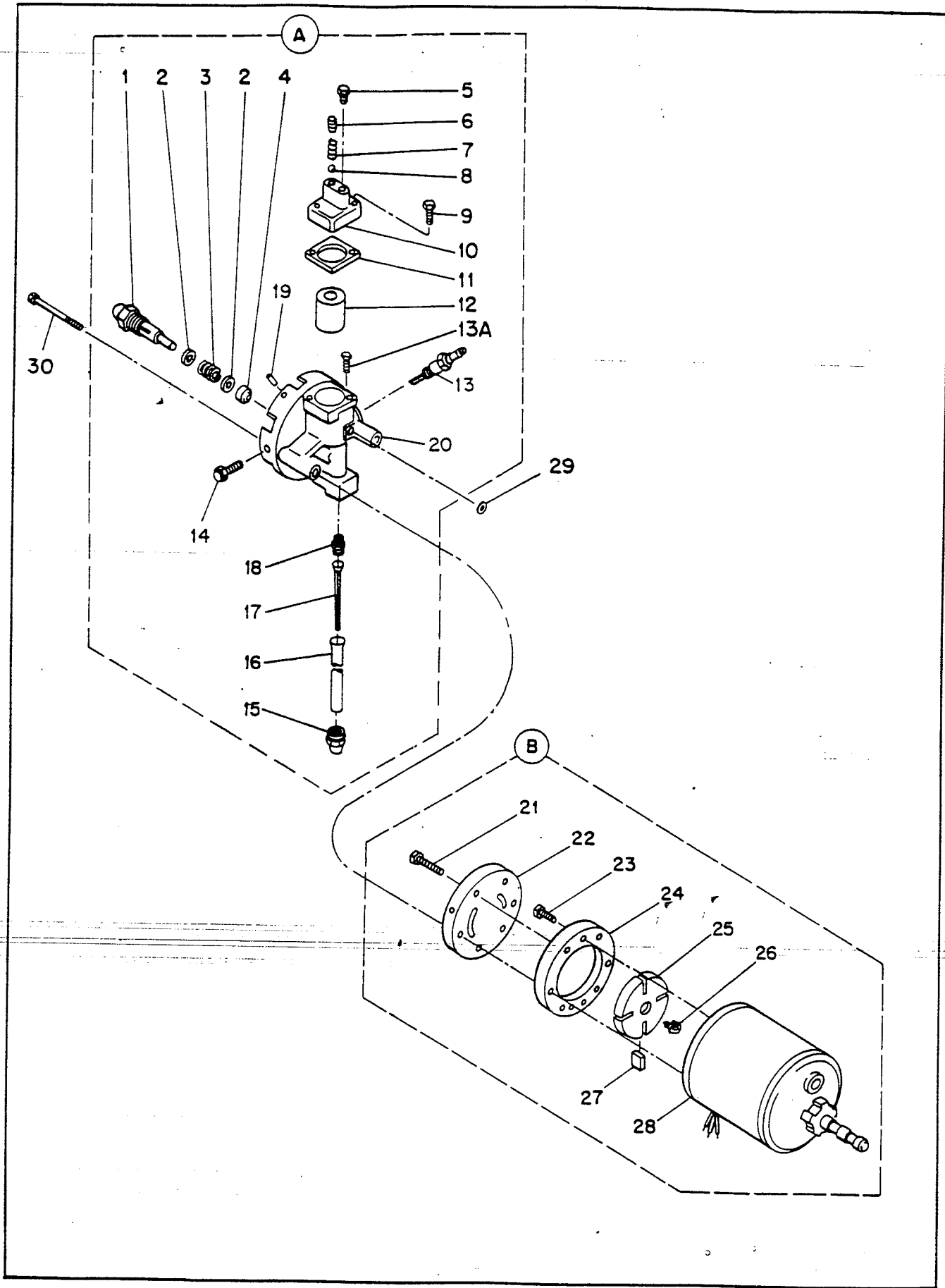


Figure 15. Motor, Pump and Burner Head Assembly