

PORTABLE FORCED AIR HEATER
Illustrated Parts List

IMPORTANT: Do not use key numbers when ordering service parts. Always order components by part number and description. Include model and serial numbers.

KEY NO.	PART NUMBER	DESCRIPTION	QTY.	KEY NO.	PART NUMBER	DESCRIPTION	QTY.
1	M51104-01	Handle	1	20	101205-01	Motor Bracket	1
2	098511-54	Upper Shell (B70BT)	1	21	M30865-02	Bushing	2
	098511-36	Upper Shell (R70CT)	1	22	M11271-8	Clip Nut	6
3	M11084-29	Screw, #10-16 x 3/4"	4	23	M50104-02	Shorty Bushing	1
4	100647-01	Screw, #10-16 x 1/2"	6	24	M11084-26	Screw, #10-16 x 3/8"	8
5	098512-12	Combustion Chamber	1	25	M10908-14	Screw, #8-32 x 1/4"	1
6	M10908-2	Screw, #6-32 x 3/8"	2	26	098511-12	Lower Shell (B70BT)	1
7	M16660	Photocell Bracket	1		098511-18	Lower Shell (R70CT)	1
8	HA3019	Photocell Assembly	1	27	M29652-04	Airline	1
9	***	Burner Head Assembly	1	28	102482-01	Ignitor Kit	1
9-1	HA3008	Nozzle Assembly	1	29	M9900-192	Wire Assembly (Green & Yellow, 15")	1
9-2	M10659-1	Nozzle Seal Washer	2	30	079973-01	Fuel Line	1
9-3	M10809-1	Nozzle Seal Spring	1	31	M50876-05	Fuel Filter (With Bushing)	1
9-4	M8882	Nozzle Sleeve	1	32	M10990-3	Rubber Bushing	1
9-5	M51098-02	Burner Head Body	1	33	099125-03	Terminal Board	1
9-6	M50820-01	Barb Fitting	2	34	099157-01	Rivet	1
9-7	HA3012	Spark Plug	1	35	HA3003	Safety Control	1
10	M11084-27	Screw, #10-16 x 1/2"	3	36	097702-01	Fuel Cap Kit (Includes Gasket)	1
11	M51107-01	Fan	1	37	098219-27	Power Cord	1
12	***	Motor and Pump Assembly	1	38	M11143-1	Strain Relief Bushing	1
12-1	097308-02	Motor	1	39	099650-01	Wire Clip	1
12-2	079975-02	Pump Body	1	40	M50899-03AA	Side Cover	1
12-3	M22009**	Insert	1	41	079010-18	Wire Assembly (Red, 14 1/2")	1
12-4	M22456-1**	Rotor	1	42	099177-01	Hex Nut	1
12-5	M29608	Pump End Cover	1	43	M10908-1	Screw, #6-32 x 1/4"	2
12-6	M29632**	Lint Filter	1	44	097657-01	Thermostat	1
12-7	M29633**	Intake Filter	1	45	097658-02	Thermostat Knob	1
12-8	M29609	Filter End Cover	1	PARTS AVAILABLE - NOT SHOWN			
12-9	M12461-31	Screw, #10-32 x 1"	3		097646-02	Tradename Decal (B70BT)	2
12-10	M27694**	Adjusting Screw	1		097204-03	Tradename Decal (R70CT)	2
12-11	M10993-1**	Pressure Relief Spring	1		101118-02	General Information Decal (B70BT)	1
12-12	M22997**	Plug	1		101118-01	General Information Decal (R70CT)	1
12-13	M8940**	Steel Ball, 1/4" diameter	1		100622-01	Owner's Manual	1
12-14	M29612-01**	Output Filter Assembly	1		M51017-01	Tank Cushion Grommet (B70BT)	3
12-15	M12461-31	Screw, #10-32 x 1"	6	OPTIONAL ACCESSORIES			
12-16	M50016	Elbow, 90°, Barb Fitting	1		HA1202	Heavy Duty Wheels and Handle Kit	
12-17	M8643**	Blade	4		HA1206	Standard Wheels and Handle Kit	
12-18	FHPF3-5C	Screw, #10-32 x 5/8"	2		HA1180	Air Gauge Kit	
13	M51105-01	Fan Guard	1		HA2210	Fuel Tank Filter Screen	
14	M16841-57	Wire Assembly (Red, 6")	1		HA3004	Rotor Kit (M22456-1, M22009, M8643)	
15	097061-01	Solid State Relay	1		HA3014	Filter Kit (M29632, M29633, M29612-01)	
16	M15823-39	Screw, #8-18 x 1/2"	2		HA3020	Pump Kit (M27694, M10993-1, M22997, M8940)	
17	NTC-4C	Hex Lock Nut, 1/4-20	2				
18	098513-78	Fuel Tank (B70BT)	1				
	098513-77	Fuel Tank (R70CT)	1				
19	M50631	Rubber Bumper	2				

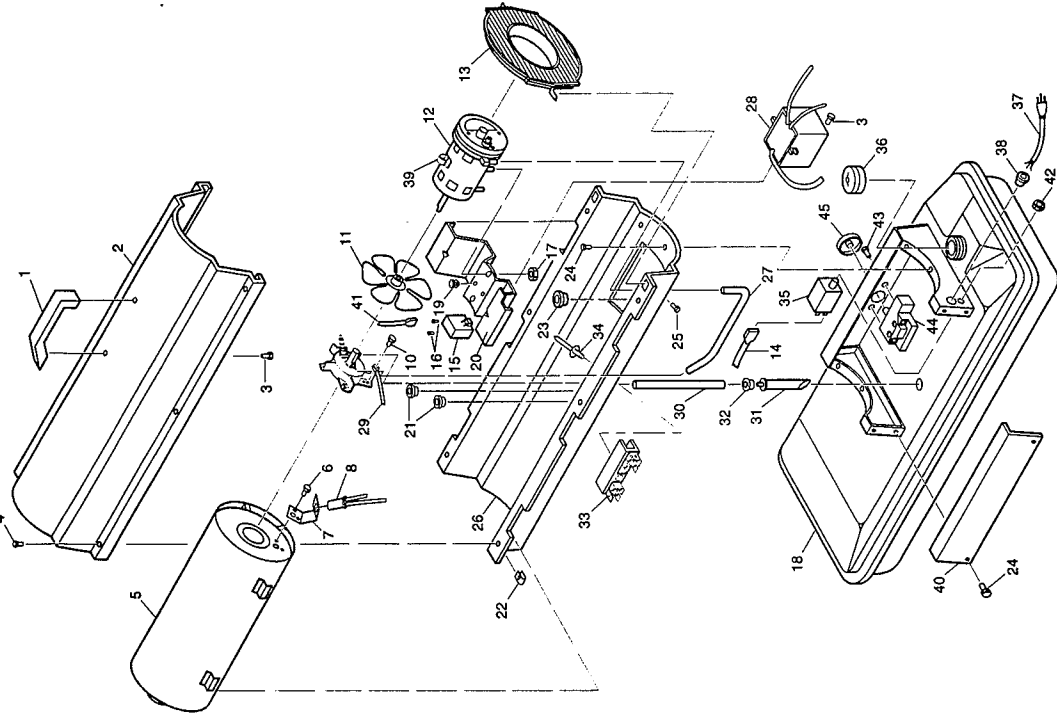
** See OPTIONAL ACCESSORIES

*** Not available as an assembly.

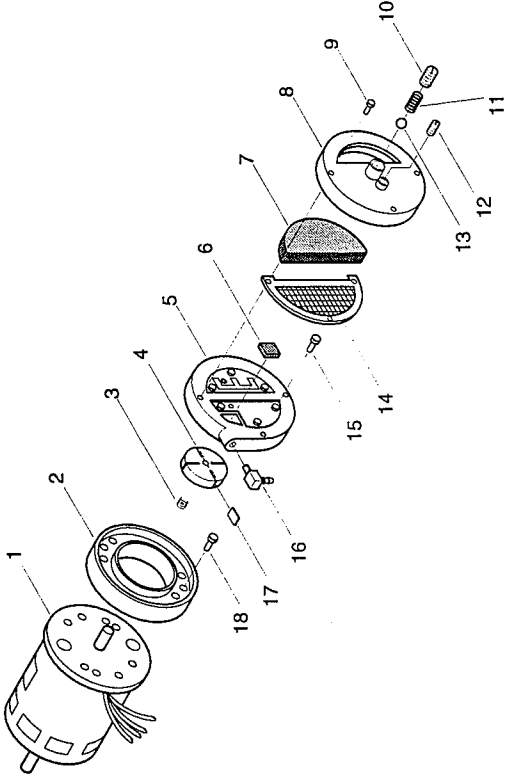
DESA International

2701 Industrial Drive, P.O. Box 90004
 Bowling Green, KY 42102-9004
 Technical Service Department 1-800-323-5190
 Parts Department 1-800-972-7879

HEATER EXPLODED VIEW



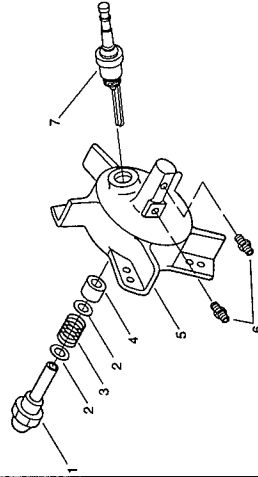
MOTOR PACKAGE ASSEMBLY



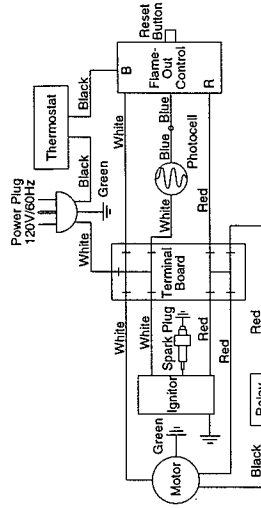
12

BURNER HEAD ASSEMBLY

9



WIRING DIAGRAM



SPECIFICATIONS

Output Rating (Btu Per Hour)	70,000	Motor RPM	3450
Fuel	Kerosene or #1 fuel oil	Hot Air Output (Approximate CFM)	250
Fuel Tank Capacity (U. S. Gallons)	5	Air Pump Pressure (PSI)	4.0
Fuel Consumption (Approximate U.S. Gallons Per Hour)	0.5	Shipping Weight (Approximate Pounds)	36
Electric Requirements	120V/60Hz	Heater Weight Without Fuel (Approximate Pounds)	31
Amperage (During Normal Run)	2.5		
Starting Amps	8		