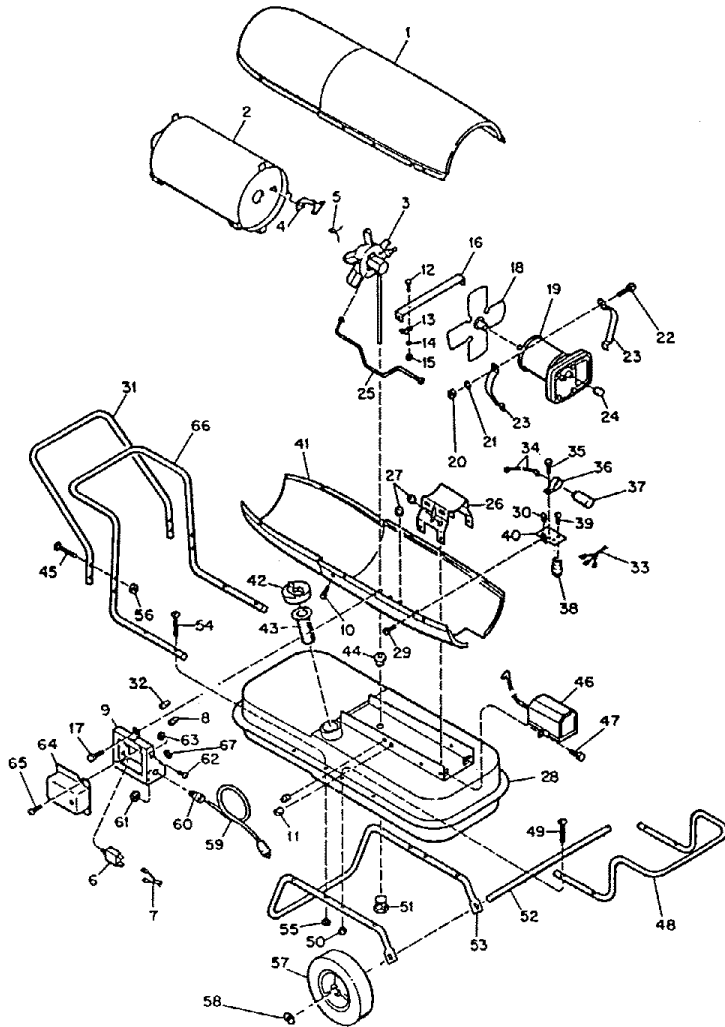
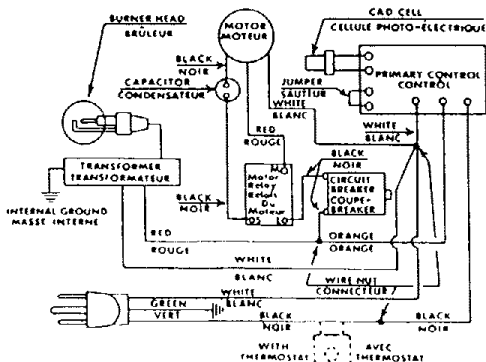


PARTS - MODEL BC100



HEATER EXPLODED VIEW

WIRING DIAGRAM



KEY NO.	PART NUMBER	PART DESCRIPTION	QTY
1	M24291AZ	Upper Shell	1
	M11084-27	Screw (10-16 x 1/2)	6
	M11271-6	Clip Nut	6
2	M16781-6	Combustion Chamber Assembly	1
3	M51124-03	Burner Head Assembly (See Page 11 For Details)	1
	M11084-27	Screw (10-16 x 1/2)	3
4	M16660	Photocell Bracket	1
	M10908-2	Screw (6-32 x 3/8)	2
5	M16656-12	Photocell Assembly	1
6	M25916	Circuit Breaker	1
7	M16841-19	Wire Assembly (Circuit Breaker)	1
8	M15714-1	Wire Connector	1
9	M27327-1AZ	Control Box Mounting Assembly	1
10	M11084-29	Screw (10-16 x 3/4)	4
11	M23611	Snap Bushing	2
12	M12461-27	Screw (10-32 x 1/2)	1
13	M24717	Tube Clamp	1
14	WLM-3	Lockwasher (No. 10)	1
15	NPF-3C	Machine Nut (10-32)	1
16	M15807	Retainer Strap	1
17	M11084-27	Screw (10-16 x 1/2)	2
18	M23147	Fan (Includes 1/4-28 x 5/16 Setscrew)	1
19	M23149-9	Motor and Pump Assembly (See Page 11 For Details)	1
20	NPC-4C	Hex Nut (1/4-20)	2
21	WLM-4	Lockwasher (1/4)	2
22	M51043-01	Screw (1/4-20 x 1 1/2)	2
23	M16661	Motor Clamp	4
24	M26046	Cap	1
25	M16879	Airline	1
26	M25059-02	Motor Support Bracket	1
	M11084-27	Screw (10-16 x 1/2)	4
27	1000576	Grommet	4
28	M27552-02AA	Fuel Tank Assembly	1
29	M11084-27	Screw (Relay Bracket, 10-16 x 1/2)	1
30	M11271-6	Clip Nut	1
31	M27366-1	Nose Guard	1
32	M15714-1	Wire Connector	2
33	M16841-18	Wire Assembly (Relay)	1
34	M16841-17	Wire Assembly (Capacitor)	1
35	M11084-39	Screw (8-18 x 1/2)	1
36	M12651-1	Clamp	1
37	M12650-10	Capacitor	1
38	M12462-6	Relay (Motor Start)	1
39	RC2-2C	Screw (8-32 x 1/4)	2
40	M11952	Relay Bracket	1
41	M16777-04AZ	Lower Shell Assembly	1
	M11084-27	Screw (10-16 x 1/2)	4
42	M23284	Filler Neck Cap	1
43	M18053	Filler Neck Screen	1
44	M10990-3	Bushing	1
45	M12345-33	Screw (10-24 x 1 3/4)	4
46	M16697-03	Transformer	1
47	M11084-27	Screw (10-16 x 1/2)	2
48	M13830-3	Rear Handle	1
49	M12345-33	Screw (10-24 x 1 3/4)	4
50	NTC-3C	Torque Nut (10-24)	4
51	M27417	Drain Plug	1
52	M51015-01	Axle	1
53	M12342-3	Wheel Support Frame	1
54	M12345-33	Screw (10-24 x 1 3/4)	4
55	NTC-3C	Torque Nut (10-24)	4
56	NTC-3C	Torque Nut (10-24)	4
57	M19294	Wheel	2
58	M28526	Cap Nut	2
59	M10813-85	Extension Cord Assembly	1
60	M6082	Connector	1
61	50460	Locknut	1
62	RC3-4C	Screw (Ground Wire, 10-24 x 1/2)	1
63	NTC-3C	Torque Nut (Ground Wire, 10-24)	1
64	M22082	Primary Safety Control	1
65	RF3-4C	Screw (10-32 x 1/2)	2
66	M27358-3	Front Handle	1
67	WLE-3	Lockwasher (No. 10)	1

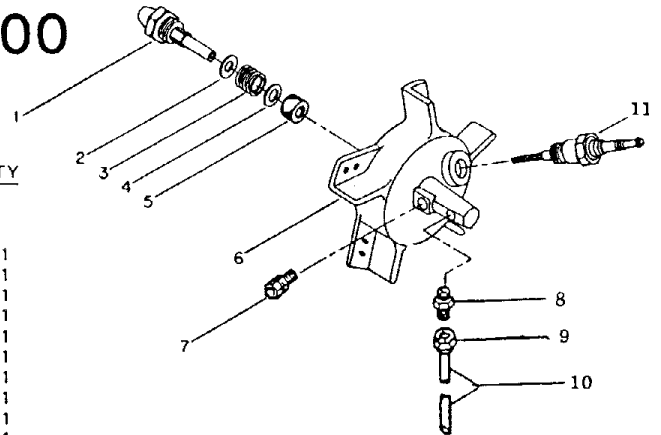
PARTS AVAILABLE - NOT SHOWN

1	M30732	Decal, Tradename
2	M25958	Decal, Guard
3	M75953	Decal, Caution
4	M26050	Decal, Wiring
5	M25952	Decal, Operation Instructions
6	M50227	Decal, Reset
7	M4119	Label, CSA
8	M50094 36	Decal, Nameplate
9	M50713	Decal, Model
10	M50229	Decal, Fuel

MASTER PORTABLE HEATER MODEL BC100
 FA4324-1 M50092-47 REV. A

PARTS - MODEL BC100

KEY NO.	PART NUMBER	PART DESCRIPTION	QTY
	M51124-03	BURNER HEAD ASSEMBLY	
1	M23103	Nozzle	1
2	M10659-1	Nozzle Seal Washer	1
3	M10809-1	Nozzle Seal Spring	1
4	M10659-1	Nozzle Seal Washer	1
5	M8882	Sleeve	1
6	M50924-01	Burner Head Body	1
7	M5976	Male Connector Assembly	1
	M28261	Compression Fitting	1
	M5787	Nut	1
	M5788	Sleeve	1
8	M16791	Male Connector	1
9	M13849	Flared Nut	1
10	M16789-6	Fuel Filter Assembly	1
11	M10962-2	Spark Plug	1



KEY NO.	PART NUMBER	PART DESCRIPTION	QTY
	M23149-9	MOTOR AND PUMP ASSEMBLY	
1	M16545	Filter End Cover	1
2	M12461-31	Screw (10-32 X 1)	4
3	M8940	Steel Ball (1/4 inch)	1
4	M12179	Intake Filter	1
5	M12244-1	Filter Assembly	1
6	M11637	Lint Filter	1
7	M50545	Pump End Cover	1
8	M12461-32	Screw (10-32 X 1-1/8)	6
9	M30718-02	Motor	1
10	M8643	Pump Blade	4
11	M22456-1	Pump Rotor	1
12	M22009	Rotor Insert	1
13	M8645	Pump Body	1
14	FHPF3-4C	Screw (10-32 X 1/2)	2
15	M5976	Male Connector	1
16	M22997	Pipe Plug	1
17	M27694	Adjusting Screw	1
18	M10993-1	Pressure Relief Spring	1

