

Figure 4. Portable Heater, Exploded View

Index no.	Part No.	Part Name	Units Per Assy
1	M11919	Shell, Upper	1
2	M11938	Motor	1
3	M11966-5	Spring	1
4	M8643	Blade	4
5	M11959	Rotor	1
6	M8645	Pump Body	1
7	M12461-31	Screw, Fil hd, 10-32 x 1 in.	4
8	M12233	End Cover, Pump	1
9	M9770-2	Washer	6
10	†M11637	Filter, Lint	1
11	M12461-33	Screw, Hex hd, 10-32 x 1-1/4 in.	6
12	†M12244G1	Filter Assy	1
13	†M12179	Intake Filter	1
14	M12234	End Cover	1
15	M10837	Pipe Plug	1
16	M10362	Connector	1
17	M8940	Ball, 1/4 dia	1
18	M8941	Spring, Compression	1
19	M8993	Hex, Nut, 3/8-24	1
20	M11941	Bushing, Pressure adjustment	1
21	69248	Male Elbow	1
22	WL1-3	Lockwasher, Internal #10	4
23	FHPF3-4C	Screw, Fill. Head, 10-32 x 1 in.	2
24	M11920-G1	Combustion Chamber Assy	1
25	†M11929G1	Burner Assy	1
26	†M11932G1	Fuel Filter Assy	1
27	No Number	Setscrew, Socket hd, cup pt, 1/4-28	2
28	M12464	Fan	1
29	†M11937G1	Motor Package Assy	1
30	M11271-2	Nut, Tinnerman	2
31	M10964-1	Clamp, Motor	4
32	M11942	Bracket, Motor Support	1
34	RC-2-3	Screw, Rd hd, 8-32 x 3/8 in.	2
35	WL1-2	Lockwasher	2
36	M11952	Bracket, Relay Mounting	1
37	M12462	Relay	1
38	M9946G4	Wire Assy	1
40	M11917G1	Shell, Lower	1
43	M10908-51	Screw, 10-24 x 1/2 in.	2
44	M11954	Bushing, Strain Relief	1
45	69321-61	Connector	2
46	M10813G1	Extension Cord Assy	1
46A	M6777	Tie, Plastic	1
47	M10990-1	Bushing	1
48	M11636G1	Fuel Tank Assy	1
49	M11944	Leg, Front	2
50	M8704	Plug, Button	4
51	M12619-23	Screw, 10-24 x 1 in.	4
52	M12345-29	Screw, 10-24 x 1 in.	4
53	M8257	Plug	1
54	M10908-51	Screw, 10-24 x 1/2 in.	1
55	M11947	Spacer Front	4
56	M11946	Rod, Tie	2
57	M3353	Cap, Fuel Tank	1
58	M10816G11	Lead Assembly, Electrode	2
59	†M3259-4	Transformer	1
60	WLM-4	Lockwasher, 1/4 in.	2
61	NPC-4C	Nut, Hex, 1/4-20	2
62	M10908-51	Screw, 10-24 x 1/2 in.	4
63	M12461-51	Screw, 10-24 x 1/2 in.	6
64	M11271-4	Nut, Tinnerman	10
65	M12461-55	Screw, 10-24 x 1 in.	6

Index no.	Part No.	Part Name	Units Per Assy
66	M11943	Air Line	1
67	M11931	Elbow, Male, 45°	1
68	M5976	Connector, Male	1
69	HF3-3C	Screw, Hex hd, 10-32 x 3/8 in.	2
70	M8989	Electrode, L. H.	1
71	M8882	Sleeve	1
72	M8667	Siphon, Nozzle	1
73	M10659-1	Washer, Nozzle Seal	2
74	M10809-1	Spring, Nozzle Seal	1
75	M8990	Electrode, R. H.	1
76	WP-3C	Washer, Flat	1
77	HF3-3C	Screw, Hex hd, 10-32 x 3/8 in.	1
78	M8716G2	Burner Head Assy	1
79	1000577	Grommet	1
	M12646	Decal, Wiring	1
	M13025	Decal, Trade Name	1
	M12573	Decal, Name Plate	1
	M13043	Decal, Operation Instructions	1
	M12647	Decal, Air Filter	1
	M13020	Nameplate	1
	M12806	Decal, Caution	1

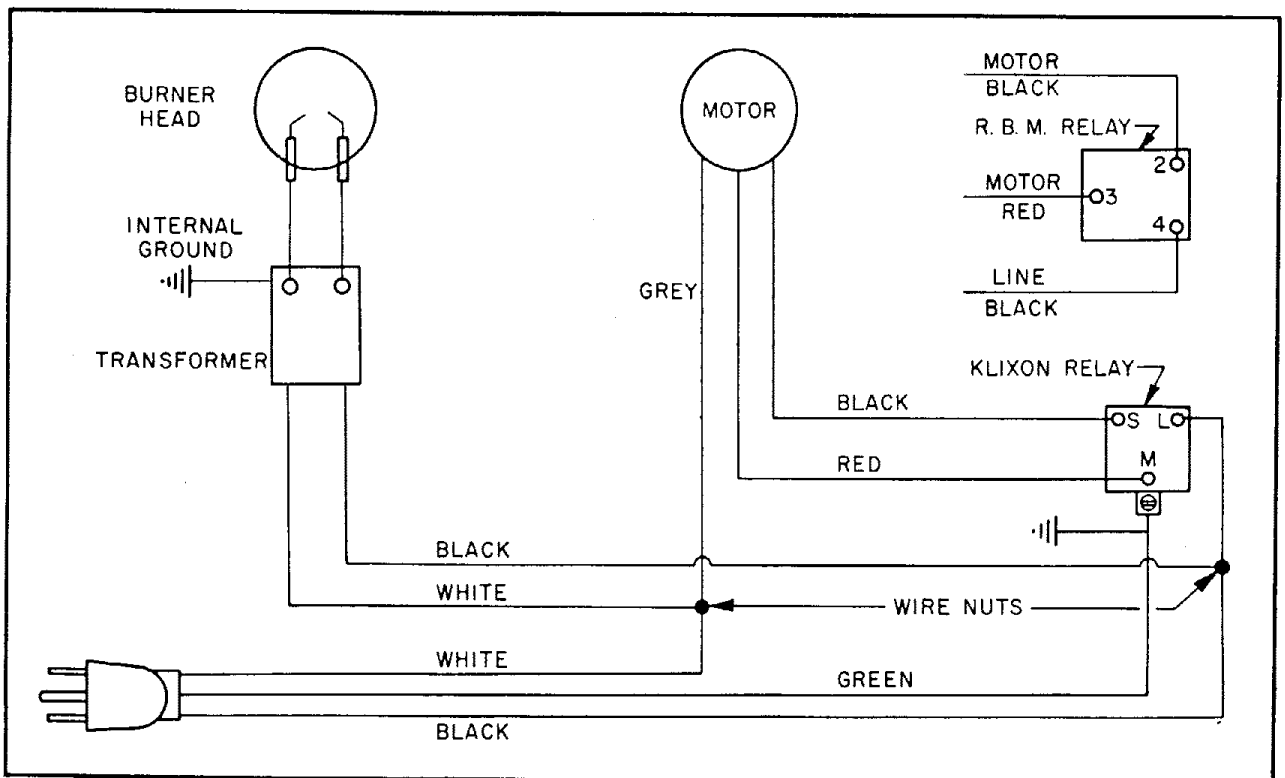


Figure 2. Wiring Diagram