

PORTABLE FORCED AIR HEATER

Illustrated Parts List

**REDDY
R100A**

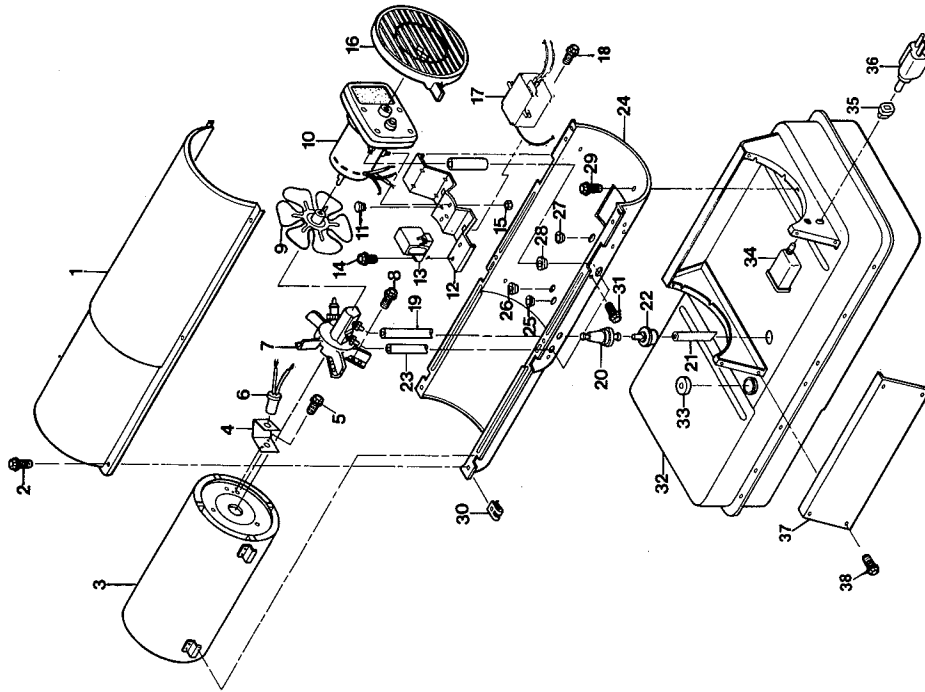
IMPORTANT: Do not use key numbers when ordering service parts. Always order components by part number and description. Include model and serial numbers.

KEY NO.	PART NUMBER	DESCRIPTION	QTY.	KEY NO.	PART NUMBER	DESCRIPTION	QTY.
1	097799-02	Upper Shell	1	17	098073-01	Ignitor Kit (includes leads)	1
2	M15823-27	Screw, #10-16 x 1/2	6	18	M11084-27	Screw, #10-16 x 1/2	2
3	079961-01	Combustion Chamber	1	19	M51345-01	Fuel Line	1
4	M16660	Bracket, Photocell	1	20	M51150-01	Fuel Filter	1
5	M10908-2	Screw, #6-32 x 3/8	2	21	M51151-01	Fuel Line Tube	1
6	M16656-4	Photocell Assembly	1	22	M10990-3	Rubber Bushing	1
7	***	Burner Head Assembly	1	23	M50814-06	Airline	1
7-1	M51120-01	Nozzle	1	24	097799-02	Lower Shell	1
7-2	M10659-1	Washer, Nozzle	2	25	M30865-02	Bushing	1
7-3	M10809-1	Spring, Nozzle	1	26	M30865-02	Bushing	1
7-4	M8882	Sleeve, Nozzle	1	27	M30865-02	Bushing	1
7-5	M50924-03	Body, Burner Head	1	28	M50104-02	Bushing	1
7-6	M50820-02	Fitting, Barb	2	29	M11084-27	Screw, #10-16 x 1/2	6
7-7	M10962-2	Spark Plug	1	30	M11271-8	Clip Nut	6
8	M11084-27	Screw, #10-16 x 1/2	3	31	M15823-37	Screw, Grounding, #8-18 x 1/4	1
9	M51153-01	Fan	1	32	097137-08	Fuel Tank	1
10	***	Motor and Pump Assembly	1	33	097702-01	Fuel Cap (includes gasket)	1
10-1	097300-01	Motor (Split Phase)	1	34	M50671-01	Safety Control	1
10-2	079975-01	Pump Body	1	35	M11143-1	Bushing, Strain Relief	1
10-3	FHPF3-2C	Screw, #10-32 x 1/2	2	36	M10813-86	Power Cord	1
10-4	M22009	Insert, Rotor	1	37	M51077-01AA	Side Cover	1
10-5	M22456-1	Rotor, Pump	1	38	M11084-27	Screw, #10-16 x 1/2	4
10-6	M50545	Cover, Pump End	1	PARTS AVAILABLE - NOT SHOWN			
10-7	M12179	Filter, Intake	1				
10-8	M16545	Cover, End Filter	1		097204-04	Decal, Tradename	
10-9	M8940	Ball, Steel 1/4 dia.	1		097896-01	Wheels	2
10-10	M10993-1	Spring, Relief	1		M51015-01	Axle	1
10-11	M27694	Screw, Adjusting	1		M12342-3	Frame Support Wheel	1
10-12	M22997	Plug	1		HA2203	Front Handle	1
10-13	M12461-31	Screw, #10-32 x 1	10		M12345-33	Mounting Screws	8
10-14	M12244-1	Filter, Output	1		M28526	Nut Cap	2
10-15	M11637	Filter, Lint	1		NTC-3C	Hex Lock Nut, #10-24	8
10-16	M50820-02	Fitting, Barb	1				
10-17	M8643	Blade	4				
11	M50631	Rubber Bumper	2				
12	M51074-01	Motor Mounting Bracket	1				
13	097061-01	Solid State Relay	1				
14	**	Screw, #8-18 x 1/2	2				
15	NTC-4C	Hex Lock Nut	2				
16	M51114-01	Fan Guard	1				

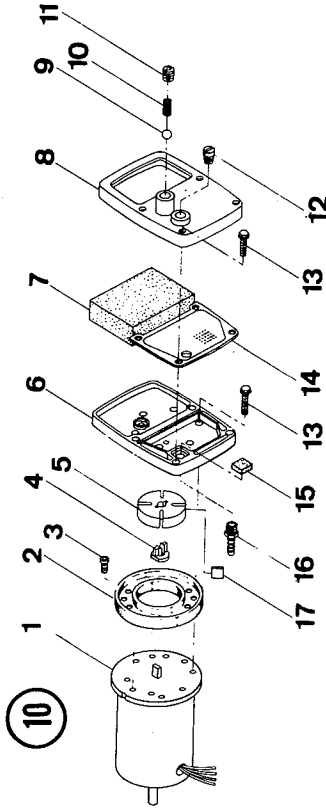
**Available at your local hardware store.

***Not available as an assembly.

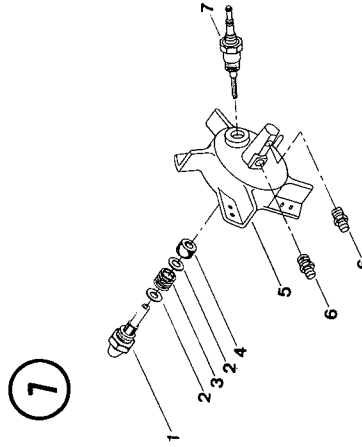
HEATER EXPLODED VIEW



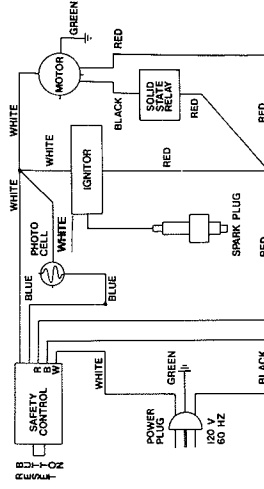
MOTOR PACKAGE ASSEMBLY



BURNER HEAD ASSEMBLY



WIRING DIAGRAM



SPECIFICATIONS

Output Rating (BTU Per Hour)
 Fuel
 Fuel Tank Capacity (U. S. Gallons)
 Fuel Consumption (Approximate U.S. Gallons Per Hour)
 Electric Requirements
 Amperage (During Normal Run)
 Starting Amps

100,000
 Kerosene or #1 fuel oil
 9
 0.74
 120v/60Hz
 5
 10

Motor RPM
 Hot Air Output (Approximate CFM)
 Air Pump Pressure (PSI)
 Shipping Weight (Approximate Pounds)
 Heater Weight Without Fuel (Approximate Pounds)

3450
 481
 4.0
 64
 55