

PORTABLE FORCED AIR HEATER

Illustrated Parts List

PFA-24-1

Issued: Nov. 1987

REDDY R150A

IMPORTANT: Do not use key numbers when ordering service parts. Always order components by part number and description. Include model and serial numbers.

KEY NO.	PART NUMBER	DESCRIPTION	QTY.	KEY NO.	PART NUMBER	DESCRIPTION	QTY.
1	098511	29 Upper Shell	1	19	WLM-4	Lockwasher 1/4 In.	2
2	098068-01	Deflector Kit, Heat	1	20	NPC-4C	Nut, Hex 1/4-20	2
3	098512	02 Combustion Chamber	1	21	098511	100 Lower Shell	1
4	M11084-29	Screw, #10-16 x 3/4	2	22	M11084-27	Screw, #10-16 x 1/2	6
5	M11084-29	Screw, #10-16 x 3/4	2	23	M11271-8	Nut, Clip	6
6	HA3019	Photocell Assembly	1	24	M12828	Bracket, Shell Support	1
7	M16660	Photocell Bracket	1	25	M11084-27	Screw, #10-16 x 1/2	8
8	M10908-2	Screw, #6-32 x 3/8	2	26	M11084-29	Screw, #10-16 x 3/4	2
9	***	Burner Head Assembly	1	27	1000576	Grommet	2
9-1	M16790-12	Fuel Line	1	28	M50671-0	Control, Safety	1
9-2	M19630	Filter, Screen Fuel	1	29	097061-01	Solid State Relay	1
9-3	M50660-05	Nut, Flare	1	30	**	Screw, #8-18 x 1/2	2
9-4	079685-01	Connector, Male	1	31	097060-01	Bracket, Solid State Relay	1
9-5	M50820-02	Fitting, Barb	1	32	M11084-27	Screw, #10-16 x 1/2	1
9-6	M8882	Seal, Nozzle	1	33	M16645	Bracket, Motor Support	1
9-7	M10659-1	Washer, Nozzle	2	34	1000577	Grommet	1
9-8	M10809-1	Spring, Nozzle	1	35	098557	06 Ignitor Kit (includes leads)	1
9-9	M18022	Nozzle, 1.1 GPH	1	36	M11084-27	Screw, #10-16 x 1/2	2
9-10	M10962-2	Spark Plug	1	37	M11143-1	Bushing, Strain Relief	1
9-11	M50924-01	Body, Burner Head	1	38	099896	03 Cord, Power	1
10	M11084-27	Screw, #10-16 x 1/2	3	39	098513	11 Tank, Fuel	1
11	M50814-03	Airline, Tubing	1	40	097702-01	Fuel Cap (includes gasket)	1
12	M50873-01	Clip, Airline	9	41	M10990-3	Bushing, Rubber	1
13	**	Wire Assembly (red, 6")	2	42	M11084-27	Screw, #10-16 x 1/2	2
14	M11084-27	Screw, #10-16 x 1/2	1	43	M11084-27	Screw, #10-16 x 1/2	2
15	M17058	Fan	1	44	M27417	Plug, Drain	1
16	***	Motor and Pump Assembly	1				
16-1	M16545	Cover, End Filter	1				
16-2	M12461-31	Screw, #10-32 x 1	10				
16-3	M12179	Filter, Intake	1				
16-4	M12244-1	Filter, Output	1				
16-5	M11637	Filter, Lint	1				
16-6	M50545	Cover, End Pump	1				
16-7	M8643	Blade	4				
16-8	M22456-1	Rotor Pump	1				
16-9	M22009	Insert, Rotor	1				
16-10	079975-01	Pump Body	1				
16-11	FHPF3-2C	Screw, #10-32 x 1/4	2				
16-12	M50820-02	Fitting, Barb	1				
16-13	M22997	Plug	1				
16-14	M27694	Screw, Adjusting	1				
16-15	M10993-1	Spring, Relief	1				
16-16	M8940	Ball, 1/4 dia.	1				
16-17	097307-01	Motor	1				
17	M16661	Clamp, Motor	4				
18	M51043-01	Screw, #1/4-20 x 1 1/2	2				

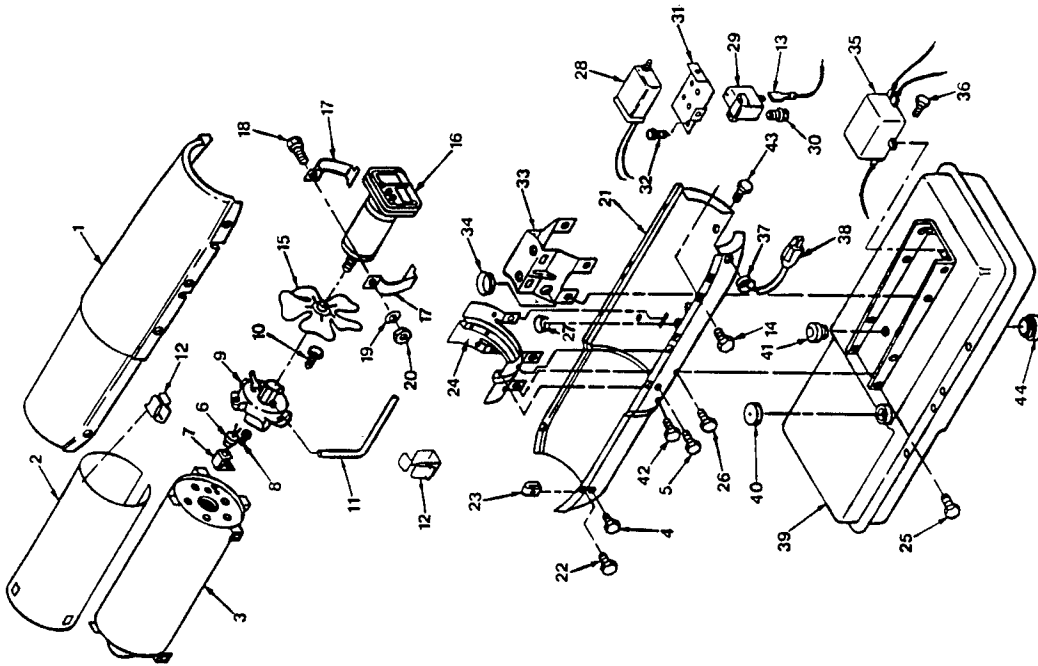
PARTS AVAILABLE - NOT SHOWN

097204-05	Decal, Tradename	
097896-01	Wheels	2
M16801-2	Axle	1
M12831-3	Frame Support Wheel	1
HA2204	Front Handle	1
M12345-33	Mounting Screws	8
M28526	Nut Cap	2
NTC-3C	Nut, Hex Lock #10-24	8

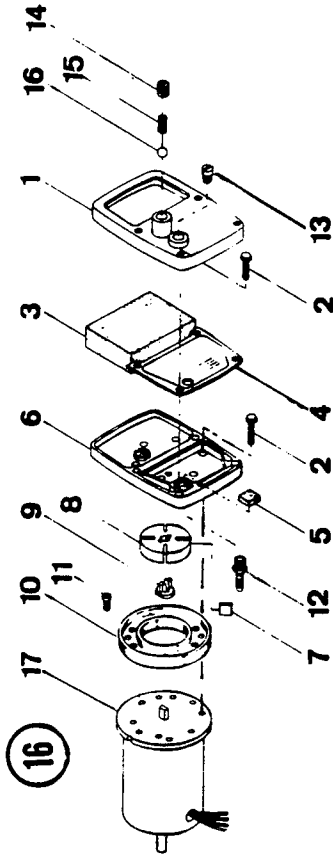
**Available at your local hardware store.

***Not available as an assembly.

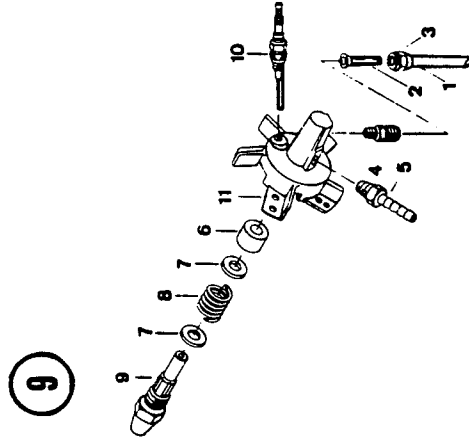
HEATER EXPLODED VIEW



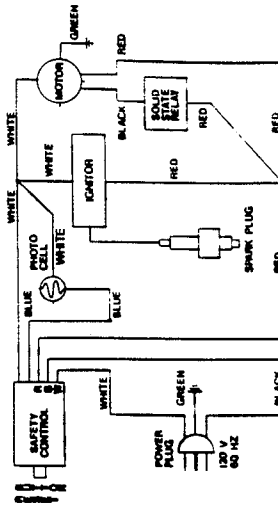
MOTOR PACKAGE ASSEMBLY



BURNER HEAD ASSEMBLY



WIRING DIAGRAM



SPECIFICATIONS

Motor RPM 3450
 Hot Air Output (Approximate CFM) 648
 Air Pump Pressure (PSI) 5.0
 Shipping Weight (Approximate Pounds) 94
 Heater Weight Without Fuel (Approximate Pounds) 77

Output Rating (BTU Per Hour) 150,000
 Fuel Kerosene or #1 fuel oil
 Fuel Tank Capacity (U. S. Gallons) 13.5
 Fuel Consumption (Approximate U.S. Gallons Per Hour) 1.1
 Electric Requirements 120v/60Hz
 Amperage (During Normal Run) 4.5
 Starting Amps 10