

# DESA

## INTERNATIONAL

### PORTABLE FORCED AIR HEATER

#### Illustrated Parts List

## PFA-14

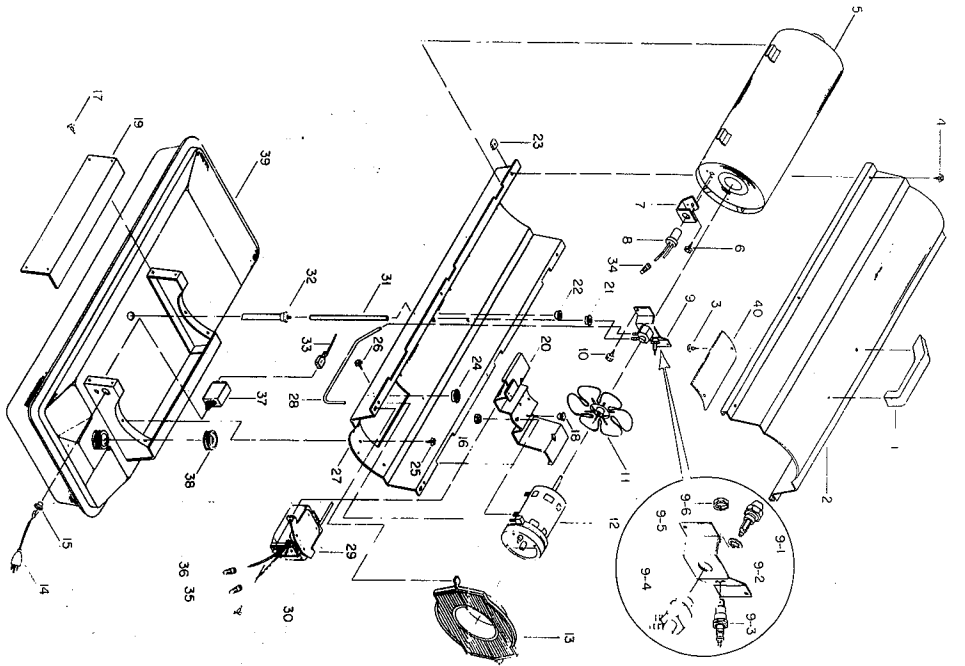
Issued: March, 1985

**REDDY  
HEATER  
R35**

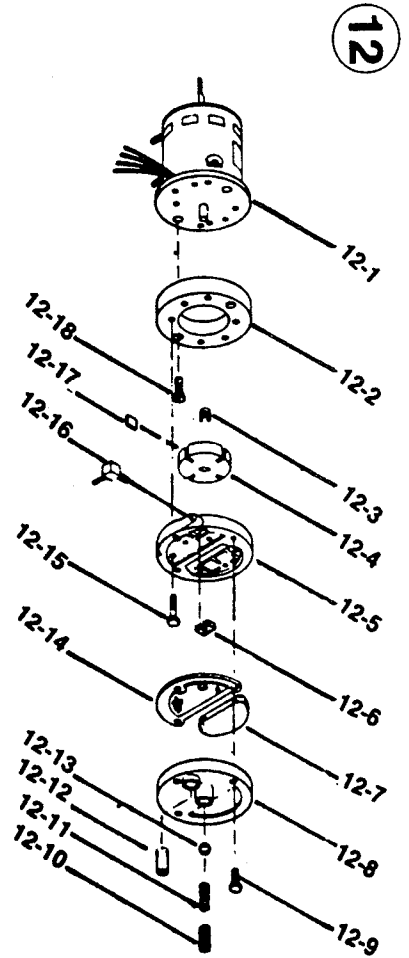
**IMPORTANT** DO NOT USE KEY NUMBERS WHEN ORDERING SERVICE PARTS. ALWAYS ORDER COMPONENTS BY PART NUMBER AND DESCRIPTION. INCLUDE MODEL AND SERIAL NUMBERS

KEY NO.	PART NO.	DESCRIPTION	QTY.
1	M51104-01	Handle	1
2	M50901-01AC	Shell, Upper	1
3	M50589-01	Screw, Handle	2
4	M11084-27	Screw, #10-16 x 1/2	6
5	M50785-06	Combustion Chamber	1
6	M10908-2	Screw, #6-32 x 3/8	2
7	M16660	Bracket, Photocell	1
8	M16656-4	Photocell Assembly	1
9		Burner Head Assembly (See Back)	N/A
9-1	079744-01	Nozzle	1
9-2	M16741-18	Ring, Retainer	1
9-3	M29835-2	Spark Plug	1
9-4	M29805	Adapter, Nozzle	1
9-5	M29613	Bracket	1
9-6	M29824	Nut, 14 mm	1
10	M11084-26	Screw, #10-12 x 3/8	2
11	M30884	Fan 7" dia.-1.437	1
12		Motor Package Assembly (See Back)	N/A
12-1	M50843-02	Motor	1
12-2	M8645	Pump Body	1
12-3	M22009	Insert, Rotor	1
12-4	M22456-1	Rotor	1
12-5	M29608	Cover, End Pump	1
12-6	M29632	Filter, Lint	1
12-7	M29633	Filter, Intake	1
12-8	M29609	Filter, End Cover	1
12-9	M12461-31	Screw, #10-32 x 1	3
12-10	M27694	Screw, Adjusting	1
12-11	M10993-1	Spring-Relief	1
12-12	M22997	Plug	1
12-13	M8940	Ball, Steel 1/4 dia.	1
12-14	M29612-01	Filter, Output	1
12-15	M12461-31	Screw, #10-32 x 1	6
12-16	M50016	Elbow 90°	1
12-17	M8643	Blade	4
12-18	FHPF3-4C	Screw, #10-32 x 1/2	2
13	M51105-01	Guard, Fan	1
14	M10813-81	Cord, Power	1

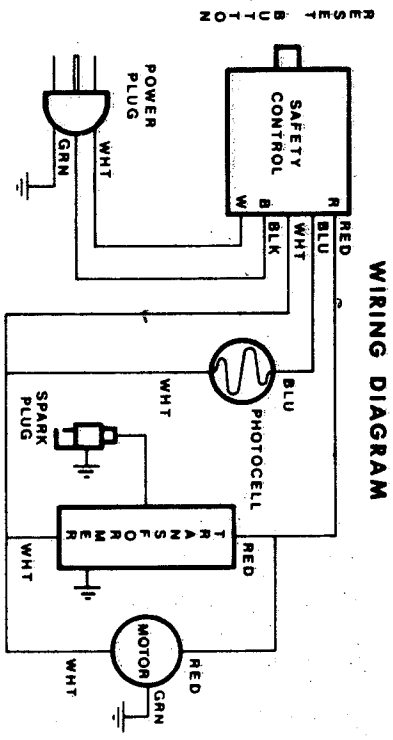
KEY NO.	PART NO.	DESCRIPTION	QTY.
15	M11143-1	Bushing, Strain-Relief	1
16	NTC-4C	Nut, Hex Lock	2
17	M11084-26	Screw, #10-12 x 3/8	2
18	M50631	Bumper, Rubber	2
19	M50899-03AA	Cover, Side	1
20	M51061-01	Bracket, Motor	1
21	M30865-02	Bushing, Transformer Lead	1
22	M25907	Bushing, Photocell wires	1
23	M11271-8	Nut, Clip	6
24	M50104-02	Bushing, Wire	1
25	M11084-26	Screw, #10-32 x 3/8	6
26	M15823-37	Screw, #8 x 1/4	1
27	M50902-01AC	Shell, Lower	1
28	M29652-05	Airline, Rubber	1
29	M50570-03	Transformer, 5000 Volt	1
30	M11084-26	Screw, #10-32 x 3/8	2
31	M29652-04	Fuel Line	1
32	M50876-04	Fuel Filter	1
33	M16841-16	Wire, Red	1
34	M13942-7	Wire, Nut (Small)	1
35	M13942-5	Wire, Nut (Medium)	1
36	M13942-6	Wire, Nut (Large)	1
37	M50671-01	Control, Flame Out	1
38	M51027-06	Cap, Fuel (Includes Gasket)	1
39	M50811-04AA	Tank, Fuel	1
40	M51108-01	Shield, Heat	1
PARTS AVAILABLE - NOT SHOWN			
	079747-01	Decal, Nameplate	
	M51110-01	Decal, Warning	
	M51111-01	Decal, Tradename	
	079748-01	Decal, Decorative	
OPTIONAL ACCESSORIES			
	HA1200	Hang-Up Thermostat	
	HA1206	Wheel Kit	



HEATER EXPLODED VIEW



MOTOR PACKAGE ASSEMBLY



WIRING DIAGRAM

**SPECIFICATIONS**

Output rating (BTU Per Hour)  
 Fuel  
 Fuel Tank Capacity (U.S. Gallons)  
 Fuel Consumption (Approx. U.S. Gal. Per Hr.)  
 Electric Requirements  
 Amperage

35,000  
 Kerosene or #1 fuel oil  
 3.00  
 0.26  
 120 V/60 HZ  
 2.8

Motor RPM  
 Hot Air Output (Approx. CFM)  
 Air Pump Pressure (PSI)  
 Shipping Weight (Approx. Lbs.)  
 Heater Weight Without Fuel (Approx. Lbs.)

1725  
 123  
 3.0  
 42  
 35

M 51138-03