

PORTABLE FORCED AIR HEATER

Illustrated Parts List

PFA-37

Issued: Sept., 1990

REDDY – R35B
DESA – C35B
REMINGTON – REM35A

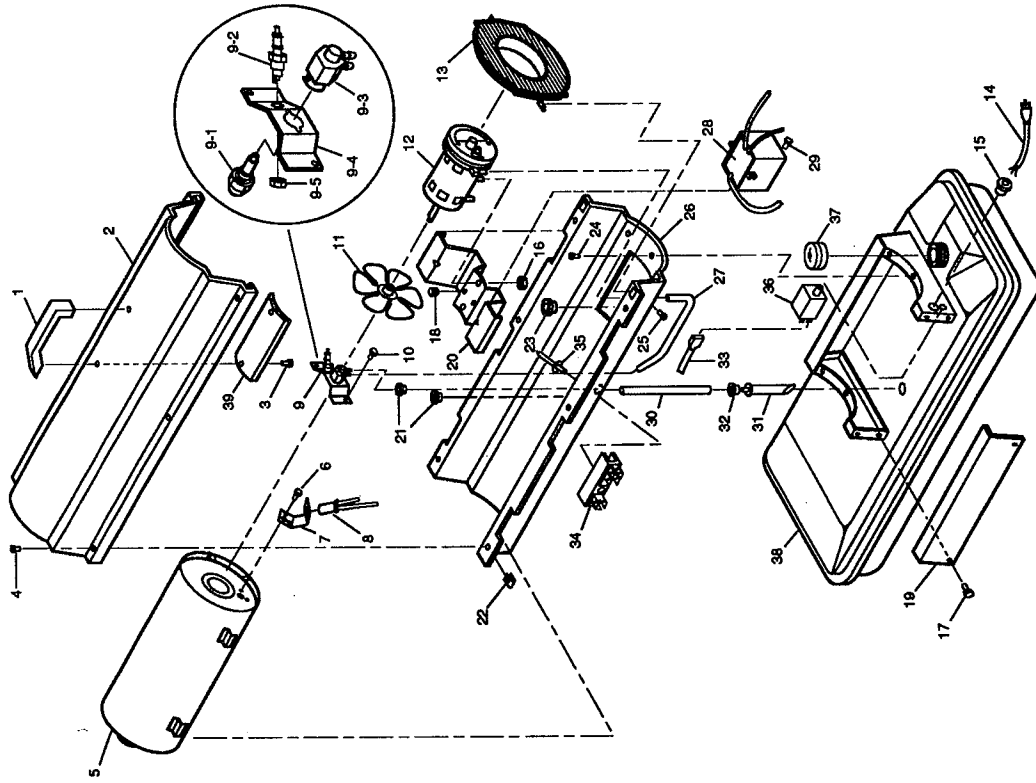
IMPORTANT: Do not use key numbers when ordering service parts. Always order components by part number and description. Include model and serial numbers.

KEY NO.	PART NUMBER	DESCRIPTION	QTY.	KEY NO.	PART NUMBER	DESCRIPTION	QTY.
1	M51104-01	Handle	1	19	M50899-03AA	Side Cover	1
2	098511-36	Upper Shell (R35B)	1	20	098138-01	Motor Bracket	1
	098511-70	Upper Shell (C35B)	1	21	M30865-02	Bushing	2
	098511-67	Upper Shell (REM35A)	1	22	M11271-8	Clip Nut	6
3	M11084-29	Screw, #10-16 x 3/4"	2	23	M50104-02	Bushing	1
4	M15823-27	Screw, #10-16 x 1/2"	6	24	M11084-26	Screw, #10-16 x 3/8"	6
5	098512-05	Combustion Chamber	1	25	M15823-37	Screw, #8-18 x 1/4"	1
6	M10908-2	Screw, #6-32 x 3/8"	2	26	098511-18	Lower Shell (R35B)	1
7	M16660	Photocell Bracket	1		098511-91	Lower Shell (C35B)	1
8	HA3019	Photocell Assembly	1		098511-81	Lower Shell (REM35A)	1
9	***	Burner Head Assembly	1	27	M29652-01	Rubber Airline	1
9-1	HA3006	Nozzle	1	28	098557-06	Ignitor Kit	1
9-2	HA3013	Spark Plug	1	29	M11084-29	Screw, #10-16 x 3/4"	2
9-3	079980-01	Nozzle Adapter	1	30	M29652-05	Fuel Line	1
9-4	097125-01	Bracket	1	31	M50876-04	Fuel Filter (With Bushing)	1
9-5	M29824	Nut, 14mm	1	32	M10990-3	Rubber Bushing	1
10	M11084-26	Screw, #10-16 x 3/8"	2	33	M16841-57	Wire Assembly (Red, 6")	1
11	M30884	Fan	1	34	099125-02	Terminal Board	1
12	***	Motor and Pump Assembly	1	35	099157-01	Rivet	1
12-1	097073-02	Motor	1	36	HA3003	Safety Control	1
12-2	079975-01	Pump Body	1	37	097702-01	Fuel Cap (Includes Gasket)	1
12-3	M22009**	Insert	1	38	098513-23	Fuel Tank	1
12-4	M22456-1**	Rotor	1	39	M51108-01	Heat-Shell Shield	1
12-5	M29608	Pump End Cover	1	PARTS AVAILABLE - NOT SHOWN			
12-6	M29632**	Lint Filter	1		097204-01	Tradename Decal (R35B)	
12-7	M29633**	Intake Filter	1		079871-01	Tradename Decal (C35B)	
12-8	M29609	Filter End Cover	1		097764-01	Tradename Decal (REM35A)	
12-9	M12461-31	Screw, #10-32 x 1"	3		098493-01	General Information Decal	
12-10	M27694**	Adjusting Screw	1		099176-01	Owner's Manual	
12-11	M10993-1**	Pressure Relief Spring	1	OPTIONAL ACCESSORIES			
12-12	M22997**	Plug	1		HA1210	Hang-up Thermostat	
12-13	M8940**	Steel Ball, 1/4" diameter	1		HA1202	Heavy Duty Wheels and Handle Kit	
12-14	M29612-01**	Output Filter	1		HA1206	Standard Wheels and Handle Kit	
12-15	M12461-31	Screw, #10-32 x 1"	6		HA1180	Air Gauge Kit	
12-16	M50016	Elbow, 90°	1		HA2210	Fuel Tank Filter Screen	
12-17	M8643**	Blade	4		HA3004	Rotor Kit (M22456-1, M22009, M8643)	
12-18	FHPF3-2C	Screw, #10-32 x 1/4"	2		HA3014	Filter Kit (M29632, M29633, M29612-01)	
13	M51105-01	Fan Guard	1		HA3020	Pump Kit (M27694, M10993-1, M22997, M8940)	
14	098219-18	Power Cord	1				
15	M11143-1	Strain Relief Bushing	1				
16	NTC-4C	Hex Lock Nut, 1/4-20	1				
17	M11084-26	Screw, #10-16 x 3/8"	2				
18	M50631	Rubber Bumper	2				

** See OPTIONAL ACCESSORIES

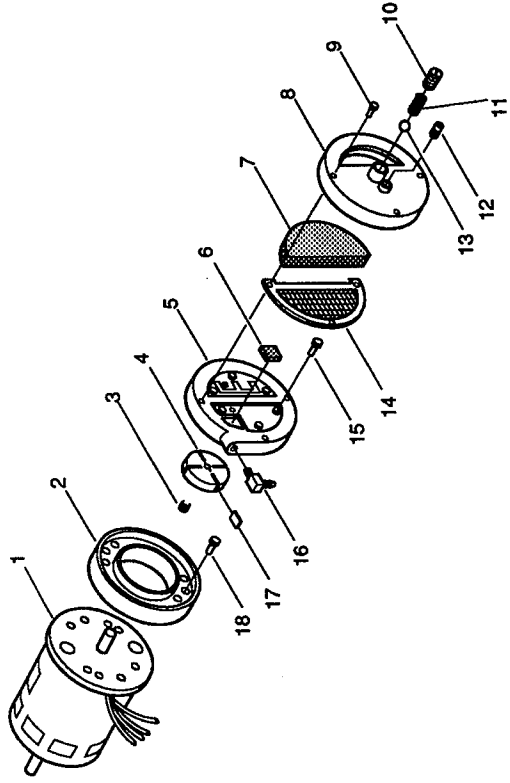
*** Not available as an assembly.

HEATER EXPLODED VIEW



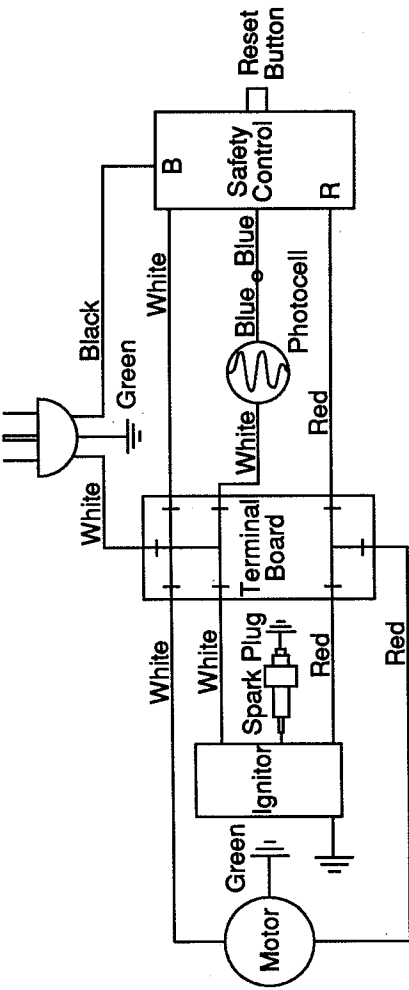
MOTOR PACKAGE ASSEMBLY

12



WIRING DIAGRAM

Power Plug
120V 60HZ



SPECIFICATIONS

Output Rating (BTU Per Hour)	35,000	Motor RPM	1725
Fuel	Kerosene or #1 fuel oil	Hot Air Output (Approximate CFM)	165
Fuel Tank Capacity (U. S. Gallons)	3	Air Pump Pressure (PSI)	3.0
Fuel Consumption (Approximate U.S. Gallons Per Hour)	0.26	Shipping Weight (Approximate Pounds)	34
Electric Requirements	120V/60Hz	Heater Weight Without Fuel (Approximate Pounds)	29
Amperage (During Normal Run)	2.0		