

## PORTABLE FORCED AIR HEATER

### Illustrated Parts List

# PFA-21-1

Issued: Nov. 1987

**REDDY  
R50A**

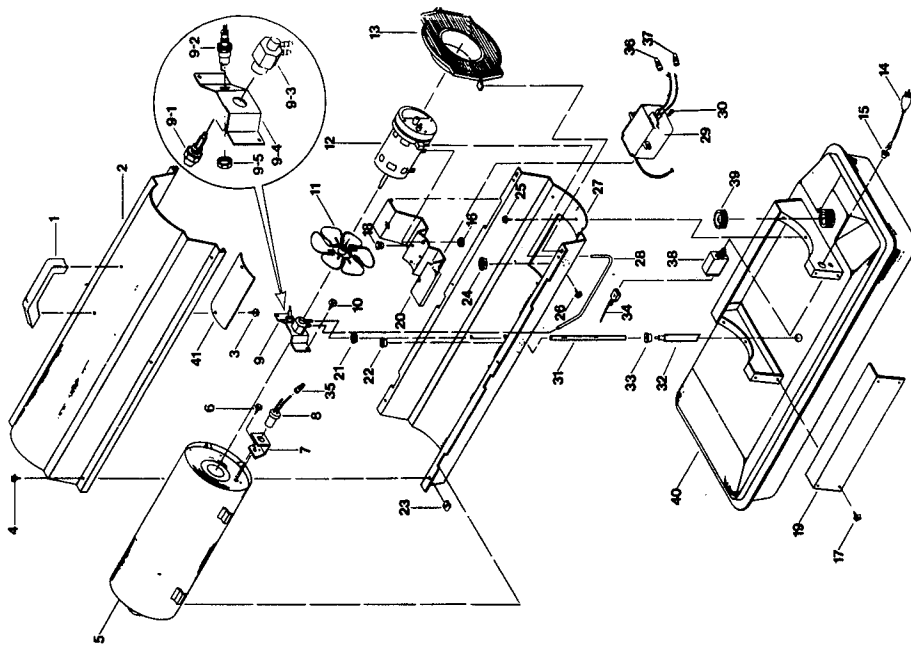
**IMPORTANT:** Do not use key numbers when ordering service parts. Always order components by part number and description. Include model and serial numbers.

KEY NO.	PART NUMBER	DESCRIPTION	QTY.	KEY NO.	PART NUMBER	DESCRIPTION	QTY.
1	M51104-01	Handle	1	17	M11084-26	Screw, #10-16 x 3/8	2
2	M50901-01AC	Upper Shell	1	18	M50631	Rubber Bumper	2
3	M11084-29	Handle Screw	2	19	M50899-03AA	Side Cover	1
4	M15823-27	Screw, #10-16 x 1/2	6	20	M51061-01	Motor Bracket	1
5	M50785-04	Combustion Chamber	1	21	M30865-02	Bushing	1
6	M10908-2	Screw, #6-32 x 3/8	2	22	M25907	Bushing	1
7	M16660	Photocell bracket	1	23	M11271-8	Clip Nut	6
8	M16656-4	Photocell assembly	1	24	M50104-02	Bushing (wires)	1
9	***	Burner Head assembly	1	25	M11084-26	Screw, #10-16 x 3/8	6
9-1	M50597	Nozzle	1	26	M15823-37	Grounding Screw #8-18 x 14	1
9-2	M29835-2	Spark plug	1	27	M50902-01AC	Lower Shell	1
9-3	079980-01	Nozzle adapter	1	28	M29652-01	Rubber Airline	1
9-4	097125-01	Bracket	1	29	098073-01	Ignitor Kit (Includes leads)	1
9-5	M29824	Nut, 14mm	1	30	M11084-27	Screw, #10-16 x 1/2	2
10	M11084-26	Screw, #10-16 x 3/8	2	31	079973-01	Fuel Line	1
11	M30884	Fan	1	32	M50876-02	Fuel Filter assembly	1
12	***	Motor and Pump assembly	1	33	M10990-3	Bushing, Rubber	1
12-1	097073-01	Motor	1	34	**	Wire assembly (red, 6")	1
12-2	079975-01	Pump Body	1	35	**	Wire connector (Blue Wires)	1
12-3	M22009	Insert	1	36	**	Wire connector (Red Wires)	1
12-4	M22456-1	Rotor	1	37	**	Wire connector (White Wires)	1
12-5	M29608	End Pump Cover	1	38	M50671-01	Safety Control	1
12-6	M29632	Lint Filter	1	39	097702-01	Fuel Cap (Includes gasket)	1
12-7	M29633	Intake Filter	1	40	097137-07	Fuel Tank	1
12-8	M29609	End Cover Filter	1	41	M51108-01	Heat-shell shield	1
12-9	M12461-31	Screw, #10-32 x 1	3				
12-10	M27694	Adjusting Screw	1				
12-11	M10993-1	Pressure Relief Spring	1				
12-12	M22997	Plug	1				
12-13	M8940	Steel Ball 1/4" dia.	1				
12-14	M29612-01	Output Filter	1				
12-15	M12461-31	Screw, #10-32 x 1	6				
12-16	M50016	Elbow 90°	1				
12-17	M8643	Blade	4				
12-18	FHPF3-2C	Screw, #10-32 x 1/4	2				
13	M51571-01	Fan Guard	1				
14	M10813-86	Power Cord	1				
15	M11143-1	Strain Relief Bushing	1				
16	NTC-4C	Hex Lock Nut	2				
<b>PARTS AVAILABLE - NOT SHOWN</b>							
					097204-02	Tradename decal	
<b>OPTIONAL ACCESSORIES</b>							
					HA1200	Hang-up Thermostat	
					HA1202	Wheel Kit, Heavy Duty	
					HA1206	Wheel Kit, Standard	
					HA1180	Air Gauge Kit	

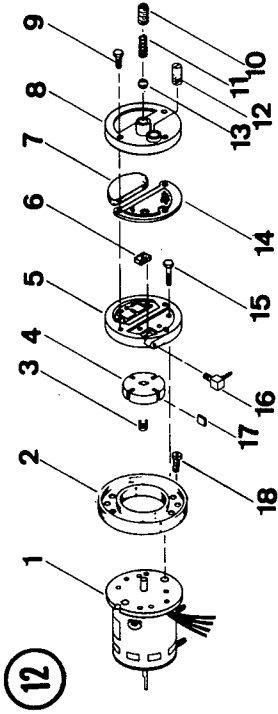
\*\*Available at your local hardware store.

\*\*\*Not available as an assembly.

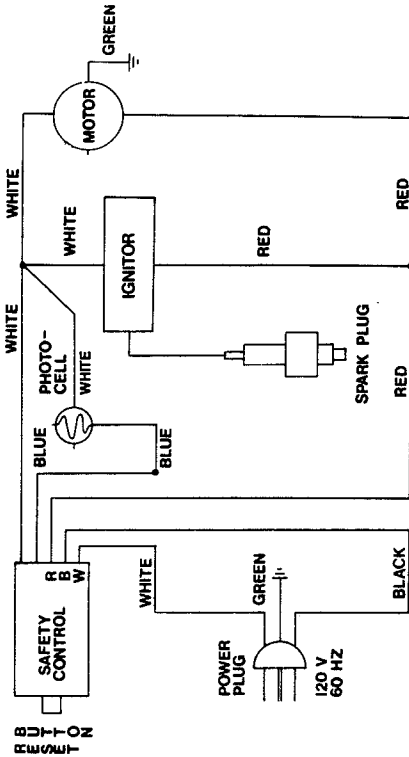
**HEATER EXPLODED VIEW**



**MOTOR PACKAGE ASSEMBLY**



**WIRING DIAGRAM**



**SPECIFICATIONS**

Output Rating (BTU Per Hour)	50,000	Motor RPM	1725
Fuel	Kerosene or #1 fuel oil	Hot Air Output (Approximate CFM)	166
Fuel Tank Capacity (U. S. Gallons)	4	Air Pump Pressure (PSI)	3.6
Fuel Consumption (Approximate U.S. Gallons Per Hour)	0.37	Shipping Weight (Approximate Pounds)	43
Electric Requirements	120v/60Hz	Heater Weight Without Fuel (Approximate Pounds)	36
Amperage (During Normal Run)	2.5		