

## PORTABLE FORCED AIR HEATER

### Illustrated Parts List

## REDDY - R55M

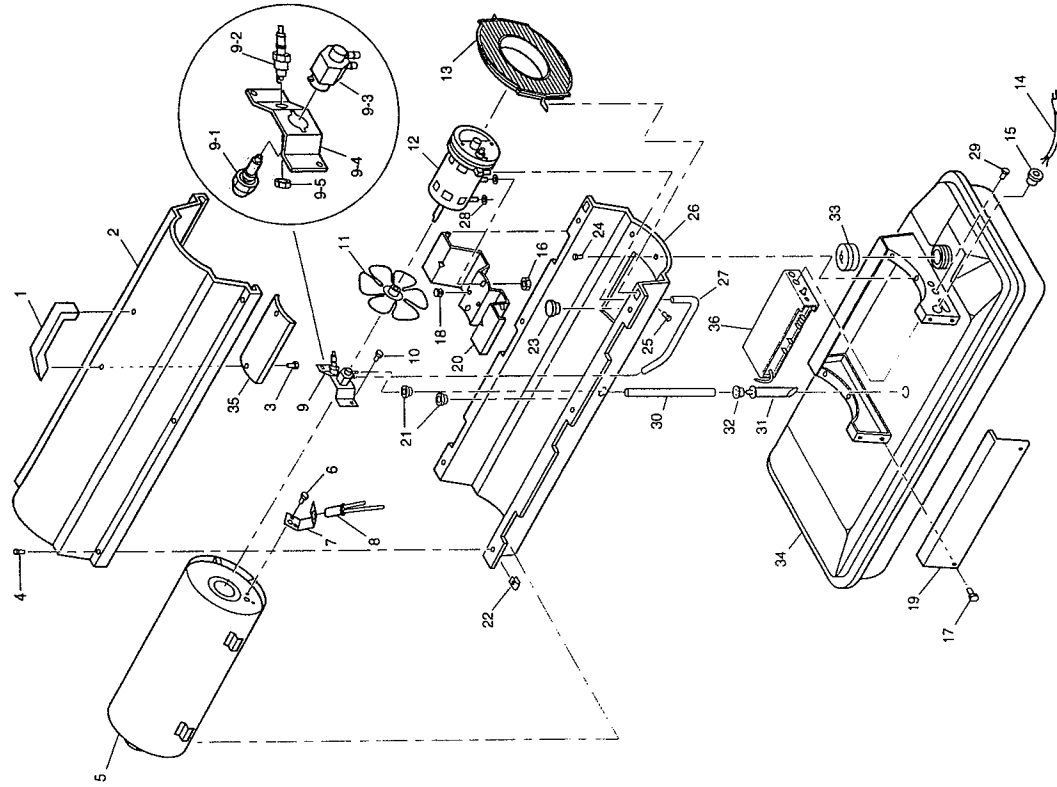
**IMPORTANT:** Do not use key numbers when ordering service parts. Always order components by part number and description. Include model and serial numbers.

KEY NO.	PART NUMBER	DESCRIPTION	QTY	KEY NO.	PART NUMBER	DESCRIPTION	QTY.
1	M51104-01	Handle	1	18	M50631	Rubber Bumper	2
2	098511-36	Upper Shell	1	19	M50899-03AA	Side Cover	1
3	M11084-29	Screw, #10-16 x 3/4"	2	20	098138-01	Motor Bracket	1
4	M15823-27	Screw, #10-16 x 1/2"	6	21	M30865-02	Bushing	2
5	098512-33	Combustion Chamber	1	22	M11271-8	Clip Nut	6
6	M10908-2	Screw, #6-32 x 3/8"	2	23	M50104-02	Bushing	1
7	M16660	Photocell Bracket	1	24	M11084-26	Screw, #10-16 x 3/8"	6
8	M16656-20	Photocell Assembly	1	25	M15823-37	Screw, #8-18 x 1/4"	1
9	***	Burner Head Assembly	1	26	098511-18	Lower Shell	1
9-1	HA3021	Nozzle	1	27	M29652-04	Rubber Airline	1
9-2	HA3013	Spark Plug	1	28	M51161-01	Rubber Washer	2
9-3	079980-01	Nozzle Adapter	1	29	M11084-26	Screw, #10-16 x 3/8"	2
9-4	097124-01	Bracket	1	30	079973-01	Fuel Line	1
9-5	M29824	Nut, 14mm	1	31	M50876-05	Fuel Filter (With Bushing)	1
10	M11084-26	Screw, #10-16 x 3/8"	2	32	M10990-3	Rubber Bushing	1
11	M30884	Fan	1	33	097702-01	Fuel Cap (Includes Gasket)	1
12	***	Motor and Pump Assembly	1	34	098513-69	Fuel Tank	1
12-1	100088-02	Motor	1	35	M51108-01	Heat-Shell Shield	1
12-2	079975-03	Pump Body	1	36	100777-02	Microprocessor Control	1
12-3	M22009**	Insert	1	<b>PARTS AVAILABLE - NOT SHOWN</b>			
12-4	M22456-2**	Rotor	1		097204-08	Tradename Decal	
12-5	M29608	Pump End Cover	1		100830-01	Diagnostic Decal	
12-6	M29632**	Lint Filter	1		098221-20	General Information Decal	
12-7	M29633**	Intake Filter	1		100807-01	Owner's Manual	
12-8	M29609	Filter End Cover	1	<b>OPTIONAL ACCESSORIES</b>			
12-9	M12461-31	Screw, #10-32 x 1"	3		HA1210	Hang-up Thermostat	
12-10	M27694**	Adjusting Screw	1		HA1202	Heavy Duty Wheels and Handle Kit	
12-11	M10993-1**	Pressure Relief Spring	1		HA1206	Standard Wheels and Handle Kit	
12-12	M22997**	Plug	1		HA1180	Air Gauge Kit	
12-13	M8940**	Steel Ball, 1/4" diameter	1		HA2210	Fuel Tank Filter Screen	
12-14	M29612-01**	Output Filter	1		HA3005	Rotor Kit (M22456-2, M22009, M8643-2)	
12-15	M12461-32	Screw, #10-32 x 1 1/8"	6		HA3014	Filter Kit (M29632, M29633, M29612,01)	
12-16	M50016	Elbow, 90°	1		HA3020	Pump Kit (M27694, M10993-1, M22997, M8940)	
12-17	M8643-2**	Blade	4				
12-18	FHPF3-6C	Screw, #10-32 x 3/4"	2				
13	M51105-01	Fan Guard	1				
14	098219-26	Power Cord	1				
15	M11143-1	Strain Relief Bushing	1				
16	NTC-4C	Hex Lock Nut, 1/4-20	2				
17	M11084-26	Screw, #10-16 x 3/8"	2				

\*\* See OPTIONAL ACCESSORIES

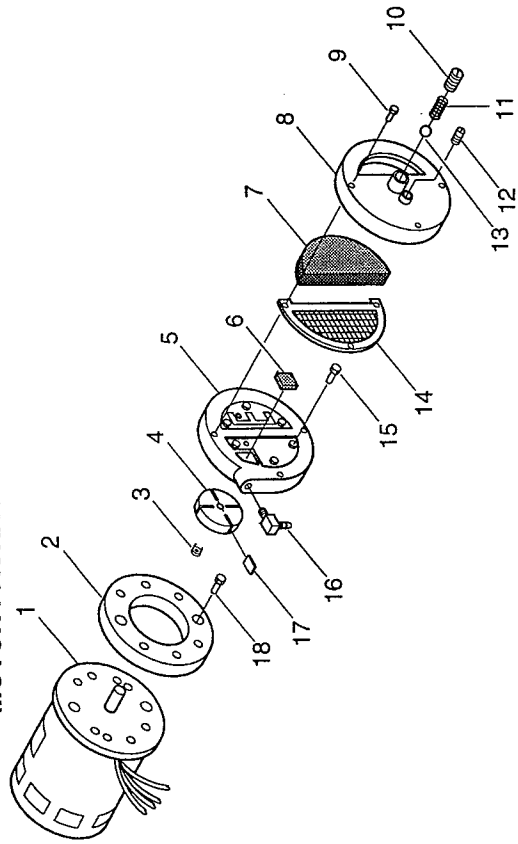
\*\*\* Not available as an assembly.

### HEATER EXPLODED VIEW

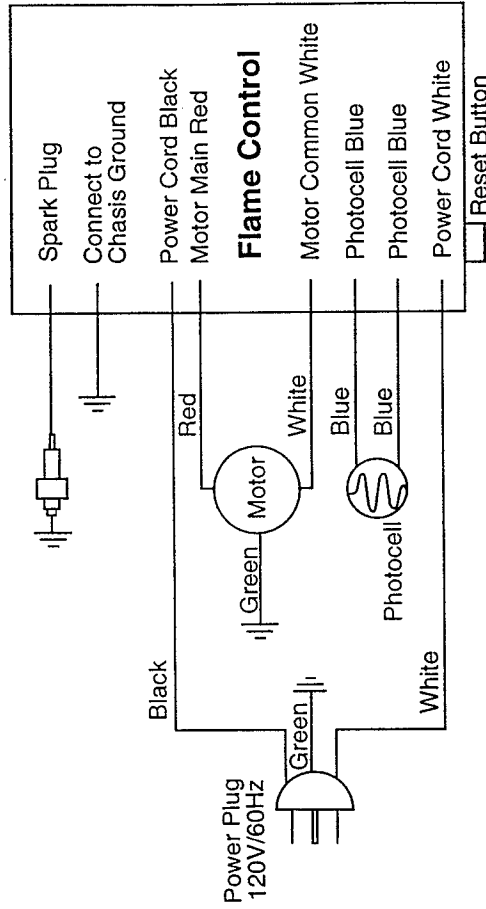


### MOTOR PACKAGE ASSEMBLY

12



### WIRING DIAGRAM



### SPECIFICATIONS

Output Rating (BTU Per Hour)  
 Fuel  
 Fuel Tank Capacity ( U. S. Gallons)  
 Fuel Consumption ( Approximate U.S. Gallons Per Hour)  
 Electric Requirements  
 Amperage (During Normal Run)

55,000  
 Kerosene or #1 fuel oil  
 5  
 0.40  
 120V/60Hz  
 2.0

Motor RPM  
 Hot Air Output (Approximate CFM)  
 Air Pump Pressure (PSI)  
 Shipping Weight (Approximate Pounds)  
 Heater Weight Without Fuel (Approximate Pounds)

1725  
 165  
 3.4  
 35  
 30