

PORTABLE FORCED AIR HEATER

Illustrated Parts List

PFA-40

Issued: Sept., 1990

MASTER – B100G

REDDY – R100B

DESA – C100F

KNIPCO – F110G

REMINGTON – REM100A

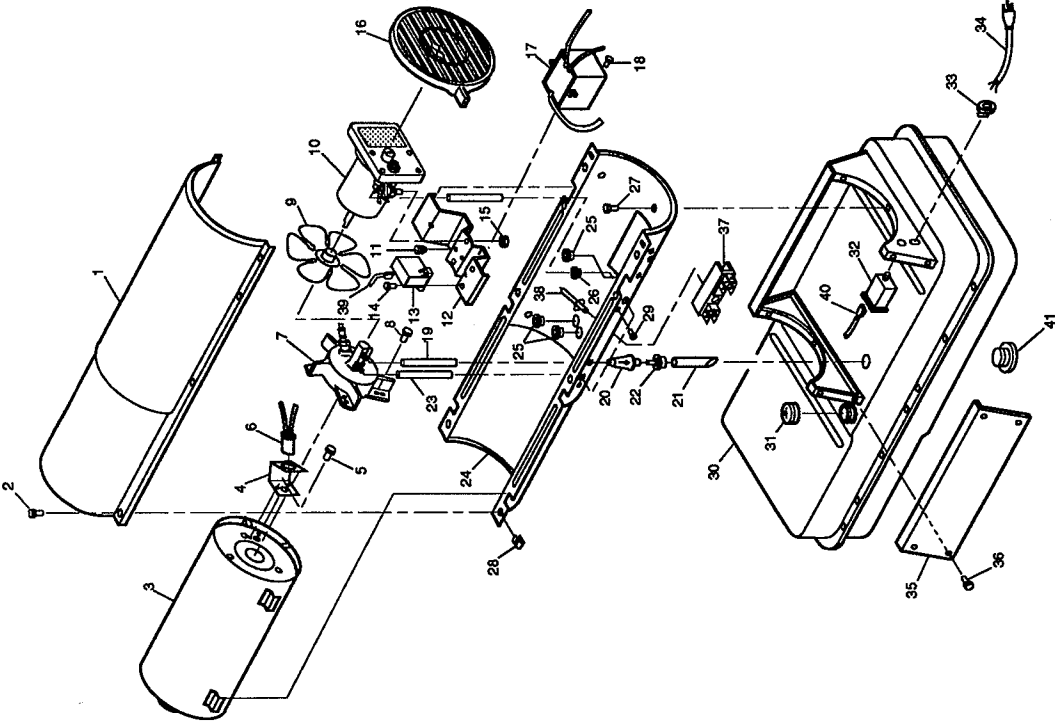
IMPORTANT: Do not use key numbers when ordering service parts. Always order components by part number and description. Include model and serial numbers.

KEY NO.	PART NUMBER	DESCRIPTION	QTY.	KEY NO.	PART NUMBER	DESCRIPTION	QTY.
1	098511-138	Upper Shell (B100G)	1	24	098511-140	Lower Shell (B100G)	1
	098511-135	Upper Shell (R100B)	1		098511-137	Lower Shell (R100B)	1
	098511-147	Upper Shell (C100F)	1		098511-142	Lower Shell (C100F)	1
	098511-144	Upper Shell (F110G)	1		098511-146	Lower Shell (F110G)	1
	098511-66	Upper Shell (REM100A)	1		098511-82	Lower Shell (REM100A)	1
2	M15823-27	Screw, #10-16 x 1/2"	8	25	M30865-02	Bushing	3
3	098512-07	Combustion Chamber	1	26	M50104-02	Bushing	1
4	M16660	Photocell Bracket	1	27	M11084-27	Screw, #10-16 x 1/2"	6
5	M10908-2	Screw, #6-32 x 3/8"	2	28	M11271-8	Clip Nut	8
6	HA3019	Photocell Assembly	1	29	M15823-37	Screw, #8-18 x 1/4"	1
7	***	Burner Head Assembly	1	30	098513-21	Fuel Tank	1
7-1	HA3009	Nozzle with Sleeve	1	31	097702-01	Fuel Cap (Includes Gasket)	1
7-2	M10659-1	Nozzle Washer	2	32	HA3003	Safety Control	1
7-3	M10809-1	Nozzle Spring	1	33	M11143-1	Strain Relief Bushing	1
7-4	M8882	Nozzle Sleeve	1	34	098219-19	Power Cord	1
7-5	M50924-03	Burner Head Body	1	35	M51077-01AA	Side Cover	1
7-6	M50820-02	Barb Fitting	2	36	M11084-27	Screw, #10-16 x 1/2"	4
7-7	HA3012	Spark Plug	1	37	099125-03	Terminal Board	1
8	M11084-27	Screw, #10-16 x 1/2"	3	38	099157-01	Rivet	1
9	M51153-01	Fan	1	39	079010-18	Wire Assembly (Red, 14 1/2")	1
10	***	Motor and Pump Assembly	1	40	M16841-57	Wire Assembly (Red, 6")	1
10-1	097300-02	Motor (Split Phase)	1	41	M27417	Drain Plug (Includes "O" Ring) (B100G Only)	1
10-2	079975-01	Pump Body	1	PARTS AVAILABLE - NOT SHOWN			
10-3	FHPF3-2C	Screw, #10-32 x 1/2"	2		097896-01	Wheels	2
10-4	M22009**	Rotor Insert	1		M51015-01	Axle	1
10-5	M22456-1**	Pump Rotor	1		M12342-3	Wheel Support Frame	1
10-6	M50545	Pump End Cover	1		HA2203	Front Handle	1
10-7	M12179**	Intake Filter	1		M12345-33	Screw, #10-24 x 1 3/4"	8
10-8	M16545	Filter End Cover	1		M28526	Nut cap	2
10-9	M8940**	Steel Ball, 1/4" diameter	1		NTC-3C	Hex Lock Nut, #10-24	8
10-10	M10993-1**	Relief Spring	1		097644-01	Tradename Decal (B100G)	
10-11	M27694**	Adjusting Screw	1		097204-04	Tradename Decal (R100B)	
10-12	M22997**	Plug	1		079866-01	Tradename Decal (C100F)	
10-13	M12461-31	Screw, #10-32 x 1"	10		M29936	Tradename Decal (F110G)	
10-14	M12244-1**	Output Filter	1		097773-01	Tradename Decal (REM100A)	
10-15	M11637**	Lint Filter	1		098493-01	General Information Decal	
10-16	M50820-02	Barb Fitting	1		099176-01	Owner's Manual	
10-17	M8643**	Blade	4	OPTIONAL ACCESSORIES			
11	M50631	Rubber Bumper	2		HA1210	Hang-up Thermostat	
12	098138-02	Motor Mounting Bracket	1		HA1180	Air Gauge Kit	
13	097061-01	Solid State Relay	1		HA2210	Fuel Tank Filter Screen	
14	M15823-39	Screw, #8-18 x 1/2"	2		HA3004	Rotor Kit (M22456-1, M22009, M8643)	
15	NTC-4C	Hex Lock Nut, 1/4-20	2		HA3017	Filter Kit (M11637, M12179, M12244-1, M51150-01)	
16	M51114-01	Fan Guard	1		HA3020	Pump Kit (M27694, M10993-1, M22997, M8940)	
17	098557-06	Ignitor Kit	1				
18	M11084-29	Screw, #10-16 x 3/4"	2				
19	M51345-01	Fuel Line	1				
20	M51150-01**	Fuel Filter	1				
21	M51151-01	Fuel Line Tube	1				
22	M10990-3	Rubber Bushing	1				
23	M50814-03	Airline	1				

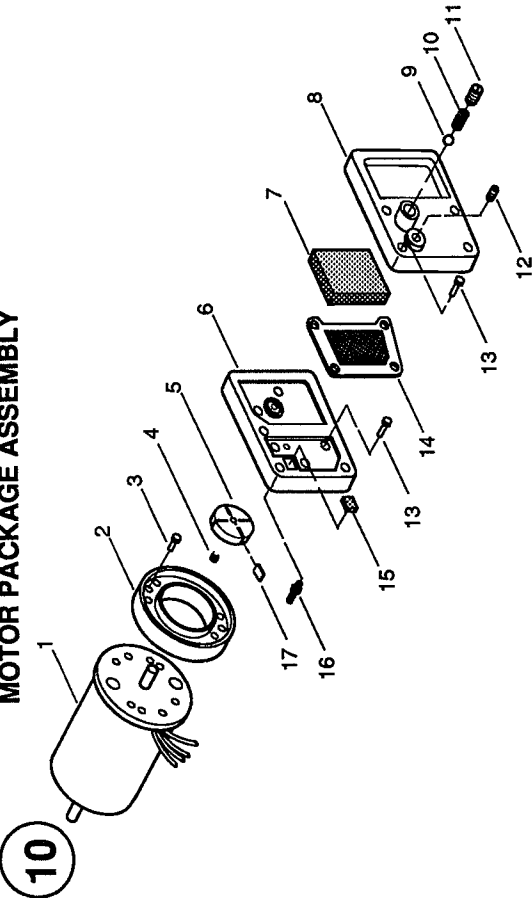
** See OPTIONAL ACCESSORIES

*** Not available as an assembly.

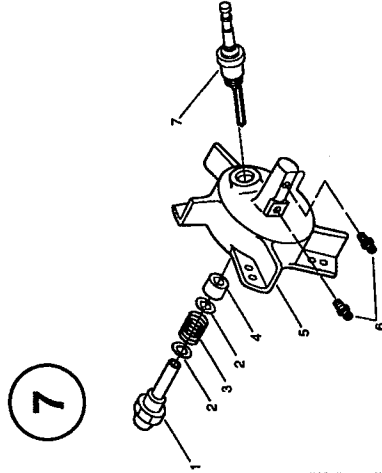
HEATER EXPLODED VIEW



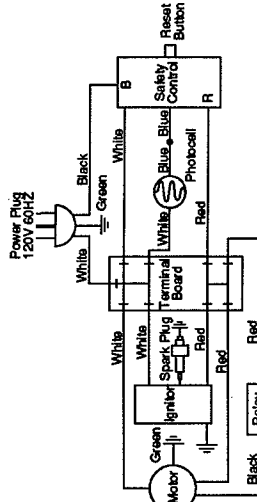
MOTOR PACKAGE ASSEMBLY



BURNER HEAD ASSEMBLY



WIRING DIAGRAM



SPECIFICATIONS

Output Rating (BTU Per Hour)
 Fuel
 Fuel Tank Capacity (U. S. Gallons)
 Fuel Consumption (Approximate U.S. Gallons Per Hour)
 Electric Requirements
 Amperage (During Normal Run)
 Starting Amps

100,000
 Kerosene or #1 fuel oil
 9
 0.74
 120V/60Hz
 4.5
 10

Motor RPM
 Hot Air Output (Approximate CFM)
 Air Pump Pressure (PSI)
 Shipping Weight (Approximate Pounds)
 Heater Weight Without Fuel (Approximate Pounds)

3450
 480
 4.0
 56
 47