

PORTABLE FORCED AIR HEATER

Illustrated Parts List

PFA-28

Issued: Oct. 1987
Revised: June 1989

REMINGTON REM150

IMPORTANT: Do not use key numbers when ordering service parts. Always order components by part number and description. Include model and serial numbers.

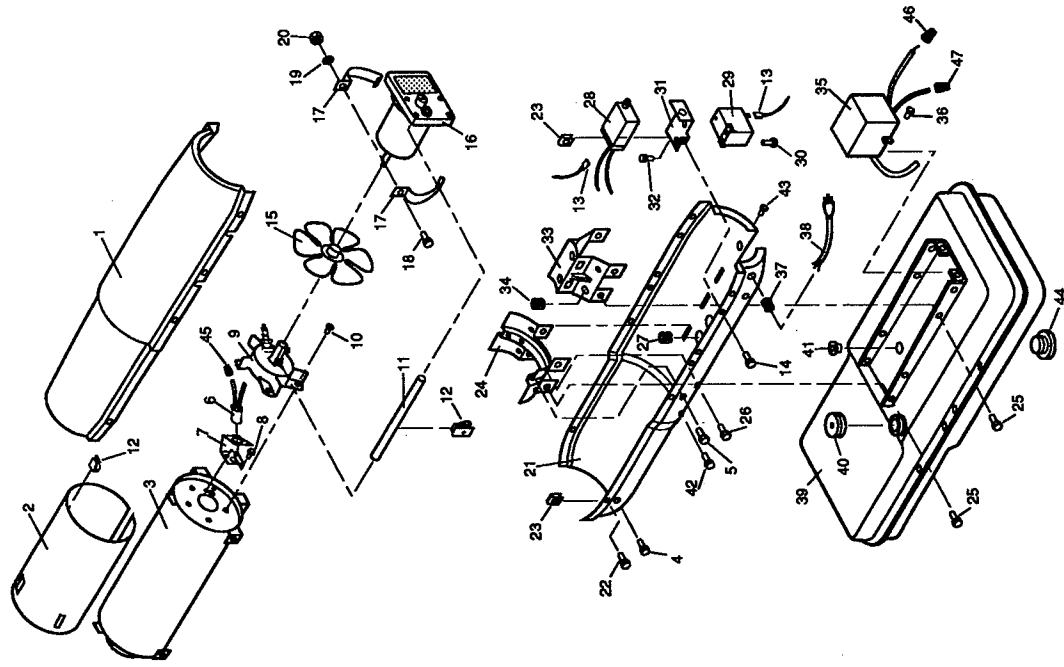
KEY NO.	PART NUMBER	DESCRIPTION	QTY.	KEY NO.	PART NUMBER	DESCRIPTION	QTY.
1	098511-68	Upper Shell	1	19	WLM-4C	Lockwasher, 1/4"	2
2	098068-01	Heat Shield Kit	1	20	NPC-4C	Hex Lock Nut, 1/4-20	2
3	098512-02	Combustion Chamber	1	21	098511-80	Lower Shell	1
4	M11084-29	Screw, #10-16 x 3/4"	2	22	M11084-27	Screw, #10-16 x 1/2"	6
5	M11084-29	Screw, #10-16 x 3/4"	2	23	M11271-8	Clip Nut	7
6	M16656-4	Photocell Assembly	1	24	M12828	Shell Support Bracket	1
7	M16660	Photocell Bracket	1	25	M11084-27	Screw, #10-16 x 1/2"	8
8	M10908-2	Screw, #6-32 x 3/8"	2	26	M11084-29	Screw, #10-16 x 3/4"	2
9	***	Burner Head Assembly	1	27	M50104-03	Shorty Bushing	2
9-1	M16790-12	Fuel Line	1	28	M50671-01	Safety Control	1
9-2	M19630	Fuel Filter	1	29	097061-01	Solid State Relay	1
9-3	M50660-05	Flare Nut	1	30	M15823-39	Screw, #8-18 x 1/2"	2
9-4	079685-01	Male Connector	1	31	097060-01	Solid State Relay Bracket	1
9-5	M50820-02	Barb Fitting	1	32	M11084-27	Screw, #10-16 x 1/2"	1
9-6	M8882	Nozzle Seal	1	33	M16645	Motor Support Bracket	1
9-7	M10659-1	Nozzle Washer	2	34	M30865-04	Bushing	1
9-8	M10809-1	Nozzle Spring	1	35	098557-01	Ignitor Kit	1
9-9	M18022	1.1 GPH Nozzle	1	36	M11084-29	Screw, #10-16 x 3/4"	2
9-10	M10962-2	Spark Plug	1	37	M11143-1	Strain Relief Bushing	1
9-11	M50924-01	Burner Head Body	1	38	098219-07	Power Cord	1
10	M11084-27	Screw, #10-16 x 1/2"	3	39	098513-08	Fuel Tank	1
11	M50814-03	Airline Tubing	1	40	097702-01	Fuel Cap (Includes Gasket)	1
12	M50873-01	Airline Clip	9	41	M10990-3	Rubber Bushing	1
13	M16841-16	Wire Assembly (Red, 6")	2	42	M11084-27	Screw, #10-16 x 1/2"	2
14	M11084-27	Screw, #10-16 x 1/2"	1	43	M11084-27	Screw, #10-16 x 1/2"	2
15	M17058	Fan	1	44	M27417	Drain Plug	1
16	***	Motor and Pump Assembly	1	45	**	Wire Connector (Blue Wires)	1
16-1	M16545	Filter End Cover	1	46	**	Wire Connector (Red Wires)	1
16-2	M12461-31	Screw, #10-32 x 1"	10	47	**	Wire Connector (White Wires)	1
16-3	M12179	Intake Filter	1	PARTS AVAILABLE - NOT SHOWN			
16-4	M12244-1	Output Filter	1				
16-5	M11637	Lint Filter	1		097896-01	Wheel	2
16-6	M50545	Pump End Cover	1		M16801-2	Axle	1
16-7	M8643	Blade	4		M12831-3	Wheel Support Frame	1
16-8	M22456-1	Pump Rotor	1		HA2204	Front Handle	1
16-9	M22009	Rotor Insert	1		M12345-33	Screw, #10-24 x 1 3/4"	8
16-10	079975-01	Pump Body	1		M28526	Nut Cap	2
16-11	FHPF3-2C	Screw, #10-32 x 1/4"	2		NTC-3C	Hex Lock Nut, #10-24	8
16-12	M50820-02	Barb Fitting	1		097773-01	Tradename Decal	
16-13	M22997	Plug	1		098493-01	General Information Decal	
16-14	M27694	Adjusting Screw	1				
16-15	M10993-1	Relief Spring	1				
16-16	M8940	Steel Ball, 1/4" diameter	1				
16-17	097307-01	Motor	1				
17	M16661	Motor Clamp	4				
18	M51043-01	Bolt, 1/4-20 x 1 1/2"	2				

*Recommended stock order

**Available at your local hardware store.

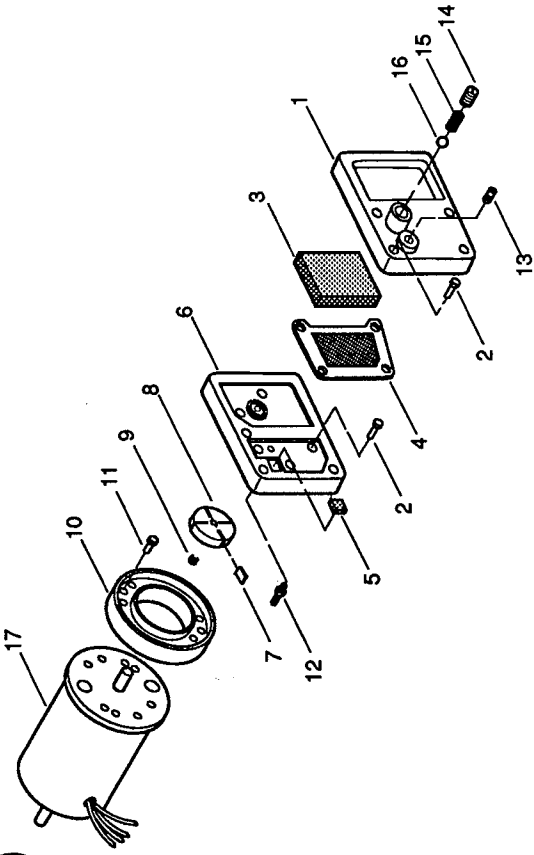
***Not available as an assembly.

HEATER EXPLODED VIEW



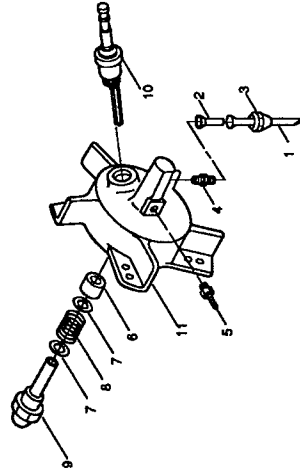
16

MOTOR PACKAGE ASSEMBLY

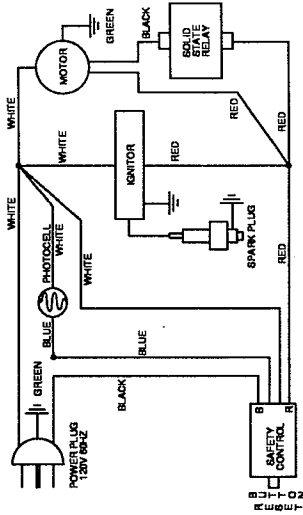


BURNER HEAD ASSEMBLY

9



WIRING DIAGRAM



SPECIFICATIONS

Output Rating (BTU Per Hour)	150,000	Motor RPM	3450
Fuel	Kerosene or #1 fuel oil	Hot Air Output (Approximate CFM)	648
Fuel Tank Capacity (U. S. Gallons)	13.5	Air Pump Pressure (PSI)	5.0
Fuel Consumption (Approximate U.S. Gallons Per Hour)	1.1	Shipping Weight (Approximate Pounds)	94
Electric Requirements	120V/60-Hz	Heater Weight Without Fuel (Approximate Pounds)	77
Amperage (During Normal Run)	4.5		
Starting Amps	10		