

PORTABLE FORCED AIR HEATER

Illustrated Parts List

Issued: March 1995
MASTER – B165
REDDY – R165
REMINGTON – REM165

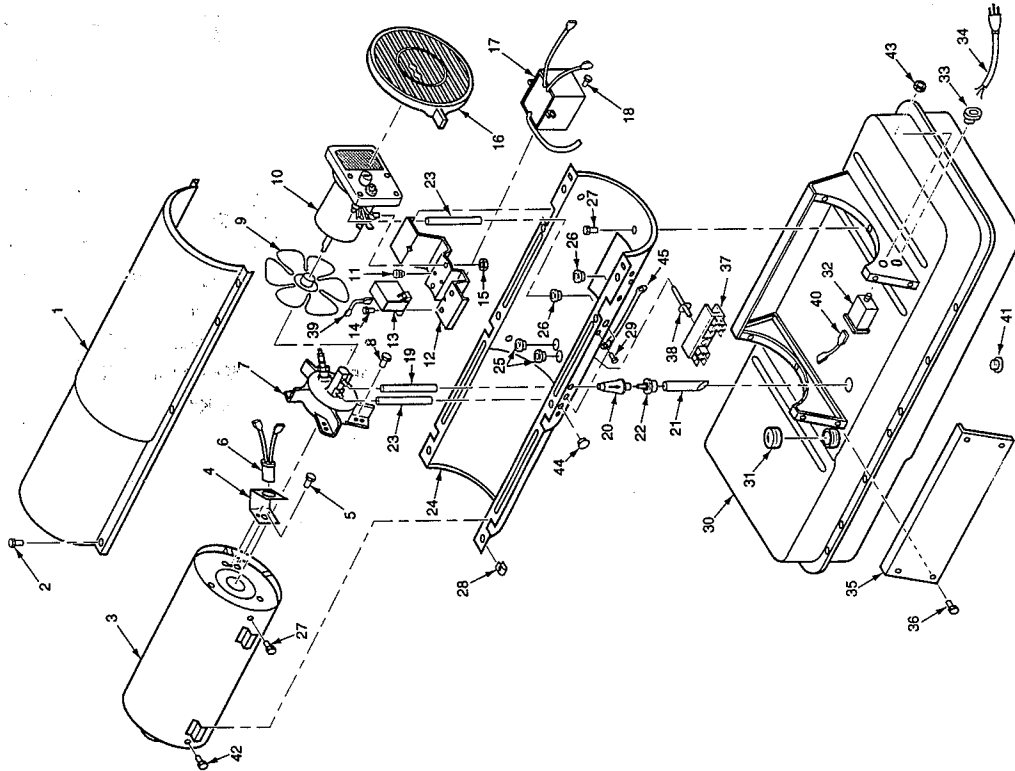
IMPORTANT: Do not use key numbers when ordering service parts. Always order components by part number and description. Include model and serial numbers.

KEY NO.	PART NUMBER	DESCRIPTION	QTY.	KEY NO.	PART NUMBER	DESCRIPTION	QTY.
1	098511-138	Upper Shell (B165)	1	24	098511-140	Lower Shell (B165)	1
	098511-135	Upper Shell (R165)	1		098511-137	Lower Shell (R165)	1
	098511-66	Upper Shell (REM165)	1		098511-82	Lower Shell (REM165)	1
2	100647-01	Screw, #10-16 x 1/2"	8	25	M50104-03	Bushing	2
3	098512-36	Combustion Chamber	1	26	M50104-01	Bushing	2
4	099229-01	Photocell Bracket	1	27	M11084-27	Screw, #10-16 x 1/2"	8
5	M10908-2	Screw, #6-32 x 3/8"	2	28	M11271-8	Clip Nut	8
6	HA3019	Photocell Assembly	1	29	M15823-39	Screw, #8-18 x 1/2"	1
7	***	Burner Head Assembly	1	30	098513-55	Fuel Tank	1
7-1	HA3023	Nozzle with Sleeve	1	31	097702-01	Fuel Cap (Includes Gasket)	1
7-2	M10659-1	Nozzle Washer	2	32	HA3003	Flame-out Control	1
7-3	M10809-1	Nozzle Spring	1	33	M11143-1	Strain Relief Bushing	1
7-4	M8882	Nozzle Sleeve	1	34	098219-19	Power Cord	1
7-5	M50924-07	Burner Head Body	1	35	M51077-01AA	Side Cover	1
7-6	M50820-02	Barb Fitting	2	36	M11084-27	Screw, #10-16 x 1/2"	4
7-7	HA3012	Spark Plug	1	37	099125-03	Terminal Board	1
8	M11084-27	Screw, #10-16 x 1/2"	3	38	099157-01	Rivet	1
9	101897-01	Fan	1	39	079010-20	Wire Assembly (Red, 18")	1
10	***	Motor and Pump Assembly	1	40	M16841-57	Wire Assembly (Red, 6")	1
10-1	101898-01	Motor (Split Phase)	1	41	M27417	Drain Plug (Includes "O" Ring)	1
10-2	079975-02	Pump Body	1	42	099230-01	Shoulder Screw	2
10-3	FHPF3-5C	Screw, #10-32 x 5/8"	2	43	099177-01	Hex Nut	1
10-4	M22009**	Rotor Insert	1	44	099213-01	Button Plug	1
10-5	M22456-1**	Pump Rotor	1	45	M9900-192	Wire Assembly (Green 16")	1
10-6	M50545	Pump End Cover	1	PARTS AVAILABLE - NOT SHOWN			
10-7	M12179**	Intake Filter	1		097896-04	Wheels	2
10-8	M16545	Filter End Cover	1		M16801-2	Axle	1
10-9	M8940**	Steel Ball, 1/4" diameter	1		M12831-3	Wheel Support Frame	1
10-10	M10993-1**	Relief Spring	1		HA2204	Front Handle	1
10-11	M27694**	Adjusting Screw	1		M12345-33	Screw, #10-24 x 1 3/4"	8
10-12	M22997**	Plug	1		M28526	Nut cap	2
10-13	M12461-31	Screw, #10-32 x 1"	10		NTC-3C	Hex Lock Nut, #10-24	8
10-14	M12244-1**	Output Filter	1		097644-03	Tradename Decal (B165)	
10-15	M11637**	Lint Filter	1		097204-10	Tradename Decal (R165)	
10-16	M50820-02	Barb Fitting	1		097773-04	Tradename Decal (REM165)	
10-17	M8643**	Blade	4		098493-01	General Information Decal	
11	M50631	Rubber Bumper	2		101911-01	Owner's Manual	
12	101206-01	Motor Mounting Bracket	1	OPTIONAL ACCESSORIES			
13	097061-01	Solid State Relay	1		HA1210	Hang-up Thermostat	
14	M15823-39	Screw, #8-18 x 1/2"	2		HA1180	Air Gauge Kit	
15	NTC-4C	Hex Lock Nut, 1/4-20	2		HA2210	Fuel Tank Filter Screen	
16	M51114-01	Fan Guard	1		HA3004	Rotor Kit (M22456-1, M22009, M8643)	
17	101901-01	Electronic Ignitor	1		HA3017	Filter Kit (M11637, M12179, M12244-1, M51150-01)	
18	M11084-29	Screw, #10-16 x 3/4"	2		HA3020	Pump Kit (M27694, M10993-1, M22997, M8940)	
19	M51345-01	Fuel Line	1				
20	M51150-01**	Fuel Filter	1				
21	M51151-02	Fuel Line Tube	1				
22	M10990-3	Rubber Bushing	1				
23	M50814-03	Airline	1				

** See OPTIONAL ACCESSORIES

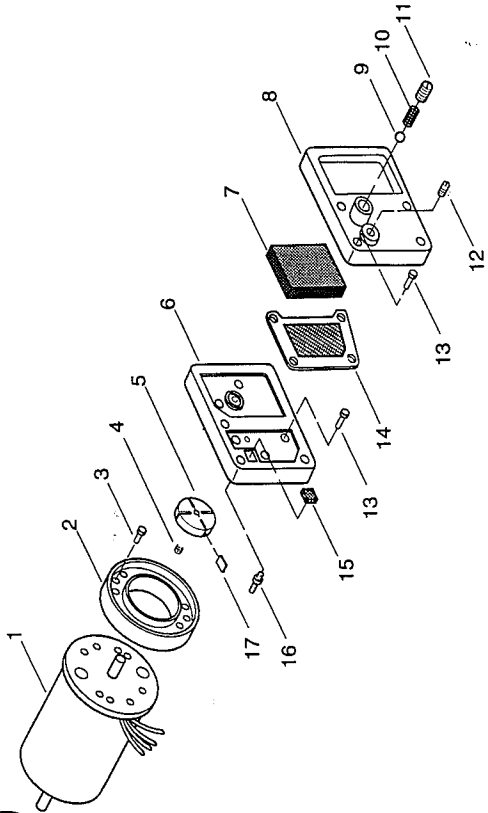
*** Not available as an assembly.

HEATER EXPLODED VIEW



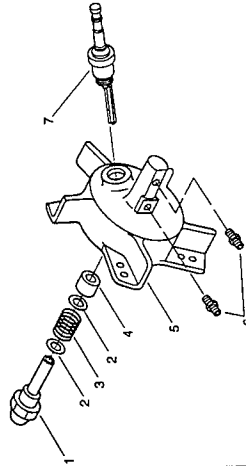
MOTOR PACKAGE ASSEMBLY

10

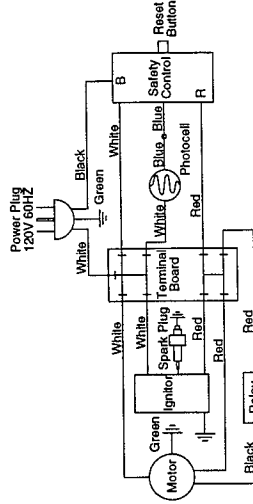


BURNER HEAD ASSEMBLY

7



WIRING DIAGRAM



SPECIFICATIONS

Output Rating (BTU Per Hour)	165,000	Motor RPM	3450
Fuel	Kerosene or #1 fuel oil	Hot Air Output (Approximate CFM)	500
Fuel Tank Capacity (U. S. Gallons)	13.5	Air Pump Pressure (PSI)	5.4
Fuel Consumption (Approximate U.S. Gallons Per Hour)	1.20	Shipping Weight (Approximate Pounds)	66
Electric Requirements	120V/60Hz	Heater Weight Without Fuel (Approximate Pounds)	55
Amperage (During Normal Run)	4.5		No Duct Recommended
Starting Amps	10		