

PORTABLE FORCED AIR HEATER
Illustrated Parts List

PFA-38

Issued: Sept., 1990

MASTER – B50F

REDDY – R50B

DESA – C50F

KNIPCO – F50G

REMINGTON – REM50A

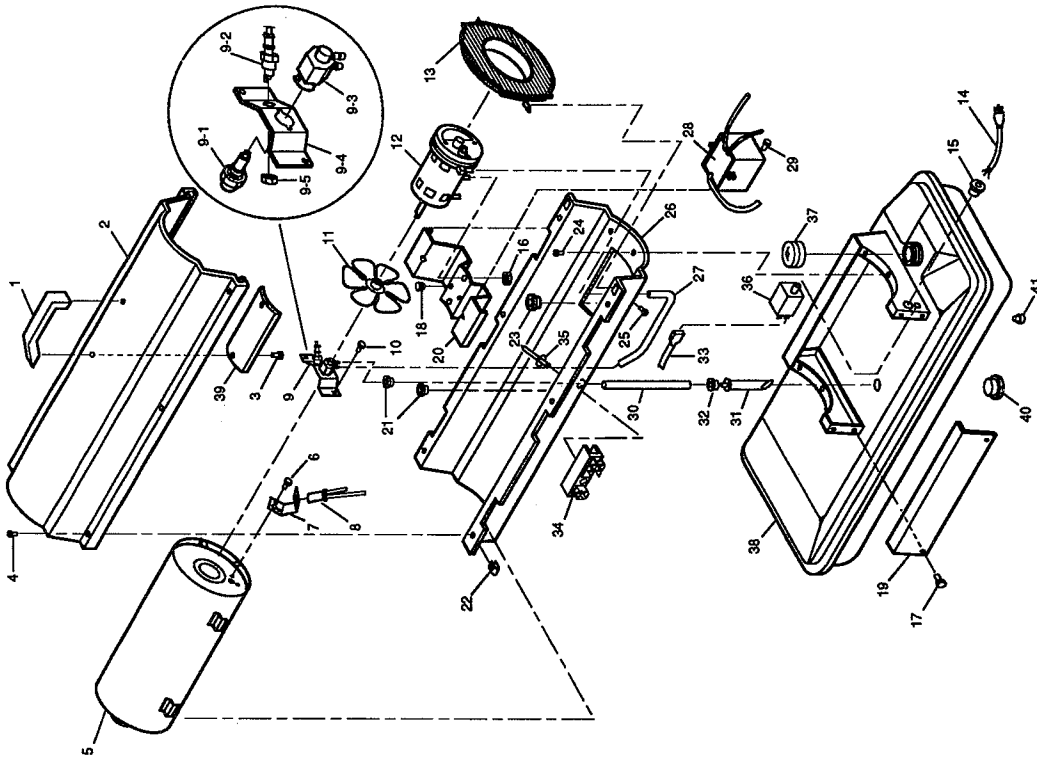
IMPORTANT: Do not use key numbers when ordering service parts. Always order components by part number and description. Include model and serial numbers.

KEY NO.	PART NUMBER	DESCRIPTION	QTY.	KEY NO.	PART NUMBER	DESCRIPTION	QTY.
1	M51104-01	Handle	1	22	M11271-8	Clip Nut	6
2	098511-54	Upper Shell (B50F)	1	23	M50104-02	Bushing	1
	098511-36	Upper Shell (R50B)	1	24	M11084-26	Screw, #10-16 x 3/8"	6
	098511-70	Upper Shell (C50F)	1	25	M15823-37	Screw, #8-18 x 1/4"	1
	098511-73	Upper Shell (F50G)	1	26	098511-12	Lower Shell (B50F)	1
	098511-67	Upper Shell (REM50A)	1		098511-18	Lower Shell (R50B)	1
3	M11084-29	Screw, #10-16 x 3/4"	2		098511-91	Lower Shell (C50F)	1
4	M15823-27	Screw, #10-16 x 1/2"	6		098511-93	Lower Shell (F50G)	1
5	098512-13	Combustion Chamber	1		098511-81	Lower Shell (REM50A)	1
6	M10908-2	Screw, #6-32 x 3/8"	2	27	M29652-01	Rubber Airline	1
7	M16660	Photocell Bracket	1	28	098557-06	Ignitor Kit	1
8	HA3019	Photocell Assembly	1	29	M11084-29	Screw, #10-16 x 3/4"	2
9	***	Burner Head Assembly	1	30	079973-01	Fuel Line	1
9-1	HA3007	Nozzle	1	31	M50876-02	Fuel Filter (With Bushing)	1
9-2	HA3013	Spark Plug	1	32	M10990-3	Rubber Bushing	1
9-3	079980-01	Nozzle Adapter	1	33	M16841-57	Wire Assembly (Red, 6")	1
9-4	097125-01	Bracket	1	34	099125-02	Terminal Board	1
9-5	M29824	Nut, 14mm	1	35	099157-01	Rivet	1
10	M11084-26	Screw, #10-16 x 3/8"	2	36	HA3003	Safety Control	1
11	M30884	Fan	1	37	097702-01	Fuel Cap (Includes Gasket)	1
12	***	Motor and Pump Assembly	1	38	098513-20	Fuel Tank	1
12-1	097073-02	Motor	1		098513-27	Fuel Tank (B50F Only)	1
12-2	079975-01	Pump Body	1	39	M51108-01	Heat-Shell Shield	1
12-3	M22009**	Insert	1	40	M27417	Drain Plug (Includes "O" Ring) (B50F Only)	1
12-4	M22456-1**	Rotor	1	41	M51017-01	Cushion Grommet (B50F Only)	3
12-5	M29608	Pump End Cover	1	PARTS AVAILABLE - NOT SHOWN			
12-6	M29632**	Lint Filter	1		097646-01	Tradename Decal (B50F)	
12-7	M29633**	Intake Filter	1		097204-02	Tradename Decal (R50B)	
12-8	M29609	Filter End Cover	1		079863-01	Tradename Decal (C50F)	
12-9	M12461-31	Screw, #10-32 x 1"	3		079514-01	Tradename Decal (F50G)	
12-10	M27694**	Adjusting Screw	1		097764-02	Tradename Decal (REM50A)	
12-11	M10993-1**	Pressure Relief Spring	1		098493-01	General Information Decal	
12-12	M22997**	Plug	1		099176-01	Owner's Manual	
12-13	M8940**	Steel Ball, 1/4" diameter	1	OPTIONAL ACCESSORIES			
12-14	M29612-01**	Output Filter	1		HA1210	Hang-up Thermostat	
12-15	M12461-31	Screw, #10-32 x 1"	6		HA1202	Heavy Duty Wheels and Handle Kit	
12-16	M50016	Elbow, 90°	1		HA1206	Standard Wheels and Handle Kit	
12-17	M8643**	Blade	4		HA1180	Air Gauge Kit	
12-18	FHPF3-2C	Screw, #10-32 x 1/4"	2		HA2210	Fuel Tank Filter Screen	
13	M51105-01	Fan Guard	1		HA3004	Rotor Kit (M22456-1, M22009, M8643)	
14	098219-18	Power Cord	1		HA3014	Filter Kit (M29632, M29633, M29612-01)	
15	M11143-1	Strain Relief Bushing	1		HA3020	Pump Kit (M27694, M10993-1, M22997, M8940)	
16	NTC-4C	Hex Lock Nut, 1/4-20	2				
17	M11084-26	Screw, #10-16 x 3/8"	2				
18	M50631	Rubber Bumper	2				
19	M50899-03AA	Side Cover	1				
20	098138-01	Motor Bracket	1				
21	M30865-02	Bushing	2				

** See OPTIONAL ACCESSORIES

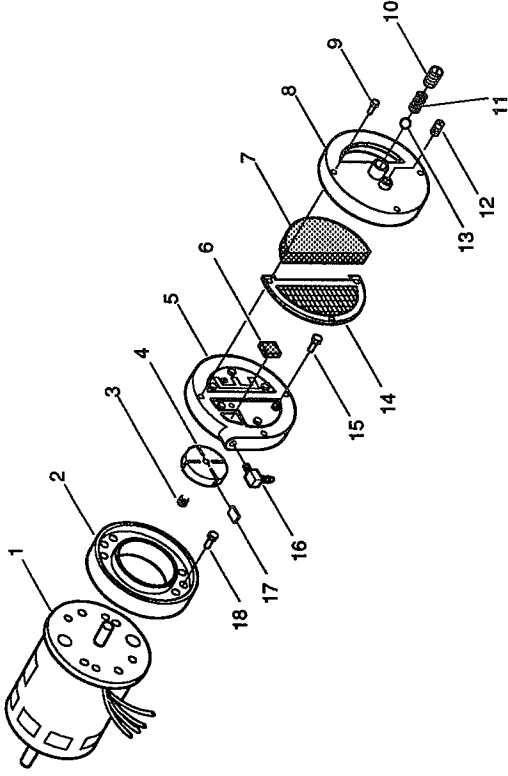
*** Not available as an assembly.

HEATER EXPLODED VIEW

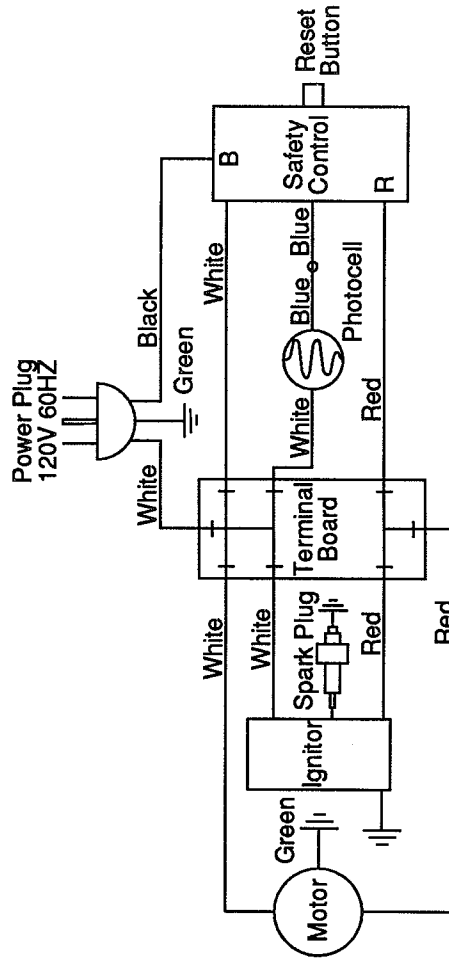


MOTOR PACKAGE ASSEMBLY

12



WIRING DIAGRAM



SPECIFICATIONS

Output Rating (BTU Per Hour)	50,000	Motor RPM	1725
Fuel	Kerosene or #1 fuel oil	Hot Air Output (Approximate CFM)	165
Fuel Tank Capacity (U. S. Gallons)	4	Air Pump Pressure (PSI)	3.6
Fuel Consumption (Approximate U.S. Gallons Per Hour)	0.37	Shipping Weight (Approximate Pounds)	35
Electric Requirements	120V/60Hz	Heater Weight Without Fuel (Approximate Pounds)	30
Amperage (During Normal Run)	2.0		