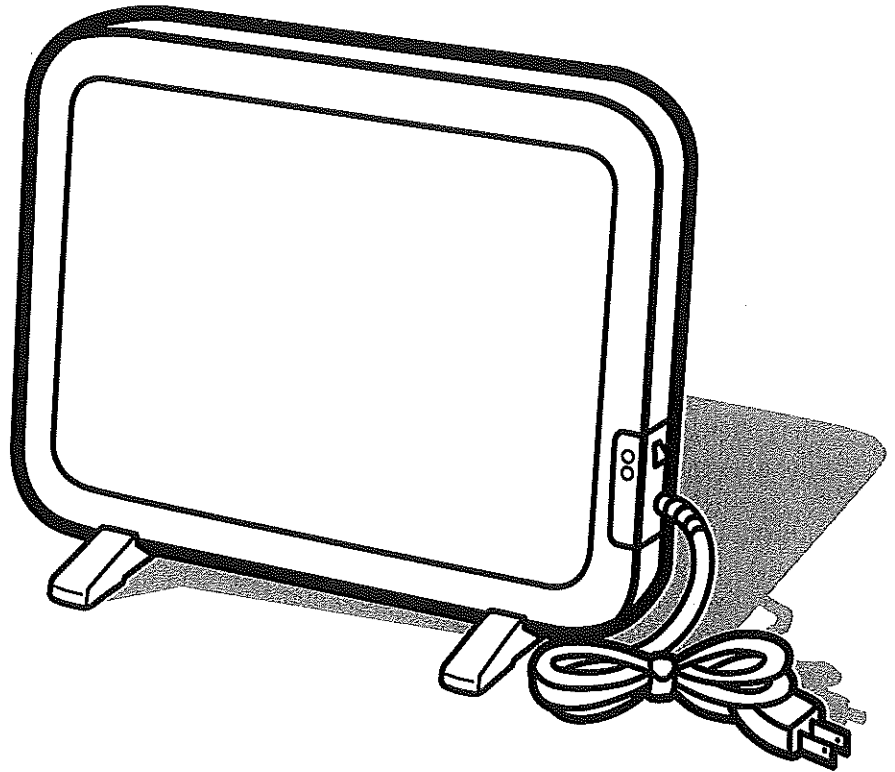


ELECTRICAL HEATER

Portable

MINIPANEL

SP-160



USER MANUAL

| | |
|-------------------------------------|------|
| Important Instructions | 2 |
| Areas of Application | 3 |
| How to Use MINIPANEL | 3 |
| Warnings | 4, 5 |
| Caution | 5 |
| Maintenance | 6 |
| Specifications | 6 |
| Warranty & After Sale Service | 6 |

 **SENGOKU**

 **UL LISTED**

IMPORTANT SAFETY INSTRUCTIONS

When using "MINIPANEL" SP-160, basic precautions should always be followed to reduce the risk of fire, electric shock, and injury to persons, including the following:

1. Read all instructions before using this heater.
2. This heater is hot when in use. To avoid burns, do not let bare skin touch hot surfaces. If provided, use handles when moving this heater. Keep combustible materials, such as furniture, pillows, bedding, papers, clothes, and curtains at least 3 feet (0.9 m) from the front of the heater and keep them away from the sides and rear.
3. CAUTION: Risk of fire – Do Not Operate Without Legs Attached. USE ON FLOOR ONLY.
4. Household use only.
5. Never use the heater as a foot warmer by placing it between bed sheets.
6. Never put a wet item on the heater.
7. Extreme caution is necessary when any heater is used by or near children or invalids and whenever the heater is left operating and unattended.
8. Always unplug heater when not in use.
9. Do not operate any heater with a damaged cord or plug or after the heater malfunctions, has been dropped or damaged in any manner. Return heater to authorized service facility for examination, electrical or mechanical adjustment, or repair.
10. Do not use outdoors.
11. This heater is not intended for use in bathrooms, laundry areas and similar indoor locations. Never locate heater where it may fall into a bathtub or other water container.
12. Do not run cord under carpeting. Do not cover with throw rugs, runners, or similar coverings. Arrange cord away from traffic area and where it will not be tripped over.
13. Never yank the cord when moving the heater to another location.
14. To disconnect heater, turn controls to off, then remove plug from outlet.
15. Do not insert or allow foreign objects to enter any ventilation or exhaust opening as this may cause an electric shock or fire, or damage the heater.
16. To prevent a possible of fire, do not block air intakes or exhaust in any manner. Do not use on soft surfaces, like a bed, where openings may become blocked.
17. A heater has hot and arcing or sparking parts inside. Do not use in areas where gasoline, paint, or flammable liquids are used or stored.
18. Use this heater only as described in this manual. Any other use not recommended by the manufacturer may cause fire, electric shock, or injury to persons.

19. Avoid the use of an extension cord because the extension cord may overheat and cause a risk of fire. However, if you have to use an extension cord, the cord shall be No. 18 AWG minimum size and rated not less than 200 watts.

SAVE THESE INSTRUCTIONS.

Areas of Application

This panel heater is not designed to heat an entire room. Instead it is suitable for partial heating or supplementary heating. This product is especially ideal for a small room.

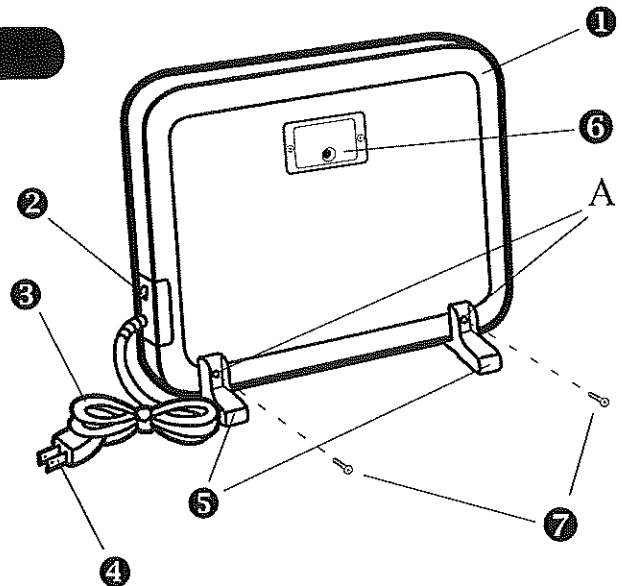
How to Use MINIPANEL

| | |
|---|---|
| Main Unit | ① |
| On/Off Switch (with source pilot lamp)..... | ② |
| Electrical Cord | ③ |
| Power Plug | ④ |
| Supporting Feet..... | ⑤ |
| Reset Button | ⑥ |
| Screws..... | ⑦ |

Installing the supporting feet

DO NOT use heater without legs installed!

Position the heater horizontally and mount each foot ⑤ on the heater as shown in the diagram above. Use Phillips screwdriver to install legs. Put screws ⑦ into holes A and tight firmly.



Connect the power supply

Be sure to insert the plug ④ firmly all the way into an AC120V household outlet having the capacity of the rated power consumption of 150W.

Turning the switch ② "ON"

The pilot lamp goes on, indicating that current is electrified. Please, allow the heater to warm up. The thermostat allows maintaining the panel surface temperature within the range of 140°F up to 170°F. If the heater doesn't provide heat while the pilot lamp is on, let it cool down (without unplugging the unit) and then press the "RESET" button ⑥, located at the back side of the heater. This will recluse the circuit and heater will start warming up again. In order for "RESET" button to operate properly the temperature around the thermostat must not be high. IN CASE SP-160 DOES NOT PROVIDE HEAT AND THE "RESET" PROCEDURE HAS BEEN PERFORMED, PLEASE CALL OUR CUSTOMER SERVICE AT 1-877-438-4328.



WARNING

Never attempt to repair or modify the product. No one other than a certified repair technician may disassemble or repair the product.
Disassembling or repairing the product on your own could result in a fire, electric shock or injury. For repairs, consult our company or the retailer from which this heater was purchased.

Never use the heater if the power cord or plug is damaged, or if the plug outlet is loose.

This could cause electric shock, short-circuiting or fire.

Never use a power source other than 120V AC (Alternating Current).

The use of another power source could cause electric shock or fire.

Never mount the heater or set it in a tilted position.

Tripping over the heater may result in injuries.

Never damage the power cord, or forcibly bend, pull or twist the cord. Do not bundle the cord or place it close to a high-temperature object. Moreover, never place a heavy object on the cord, sandwich the cord between two objects or alter the cord in any way.

A damaged power cord could cause fire or electric shock.

Always plug outlet with the rated power consumption or more without connecting other appliances.

If used with other appliances, the multi-socket plug (power strip) part might overheat and cause a fire.

Never insert or remove the plug with a wet hand.

Doing so may result in an electric shock or injuries.

Always insert the plug firmly into the plug outlet.

Otherwise, a loosely inserted cord could cause electrical shock, short-circuiting, smoke and fire.

Never insert a foreign object such as a pin, wire or other metal object into the air intake/exhaust outlet.

Inserting a foreign object may cause injury as a result of electric shock, or from abnormal operation of the heater.



WARNING

When removing the plug from the outlet, never pull the cord directly but always pull using the plug portion of the cord.
Otherwise, electric shock and short-circuiting could cause a fire.

Never place spray cans close to the heater.
Doing so could cause the can to explode or catch fire.



CAUTION

Never use the heater to provide warmth for pets such as dogs or cats.
They may damage the heater or the cord, resulting in fire.

Always plug off the outlet and make certain that the heater has cooled before cleaning it.
Cleaning the hot heater with the cord plugged in could cause burns or electric shock.

Always plug off the outlet when the heater is not in use.
A lit heater could cause burns and injuries, and the deterioration of insulation could cause a fire due to electrical shock and the leakage of electric current.

Do not touch the heated area, such as the radiator plate, during or immediately after the use of the heater.
Doing so could cause burns.

Be careful when moving the heater to another location or holding it while it is being moved.
Dropping the heater may result in injuries.

Be careful not to spill liquids such as water and tea on the operating panel.
The product could overheat if it becomes wet due to spilled water or tea. If such a mishap occurs, shut off the heater and take it to the dealer for inspection.

When this product is used for the first time, the slight odor of paint or smoke might be detected. However, this is not unique to a brand-new product. Do not be alarmed, since this odor will disappear as the product is used.

Maintenance

Clean the heater only after turning the switch to the OFF position, removing the plug from the outlet and allowing the heater to cool.

For cleaning use a dry soft cloth to wipe off any dirt from the heater.

Never use paint thinner or benzene for cleaning. These agents could harm the heater or cause discoloration and deformation.

Pack the heater in the original package and store it away from dampness and humidity.

Specifications

| | |
|----------------------------|--------------|
| Model Name | SP-160 |
| Rated Voltage | AC120V, 150W |
| Weight | 6 lbs. |
| Power Cord | 6 ft. long |
| Temperature Control | Thermostat |

Warranty Regulations & After-Sale Service

The warranty period is for one year from the date of the purchase. If any trouble is detected, do not touch the internal mechanism but instruct the dealer from whom you purchased the product to proceed with a repair. The repair will be performed according to the terms and conditions of the warranty.

After the heater is used for several seasons, the heat component, power cord and other components may be worn. Even if there is no problem detected with such a product at the beginning of a new season, consult the dealer from whom the product was purchased so that it can be used safely. Additionally, if any slightly questionable or unusual performance is detected, immediately stop using the product and request the dealer from whom the purchase was made to check or repair the product.

It is our policy that our company shall hold spare parts (parts required to maintain the performance of our product) available for this electric mini-panel heater for at least six years after the product is discontinued.

If you have any questions concerning our after-sale service, or if you would like to make an inquiry or consultation on our products, contact our company (1-877-GET HEAT) or the dealer from whom you purchased the product.